

33808
DENE

OF 2

800 x 500

ADRIAN

PT 1

BED 2 = 27/11

PT 2

ALAN

6/12

✓ TOP BED

✓ TOP SIL

- BED 2 (27/11)
- ✓ LUX PU
 - ✓ AU 212
 - ✓ PILES
 - ✓ MID
 - ✓ MOVE FURN

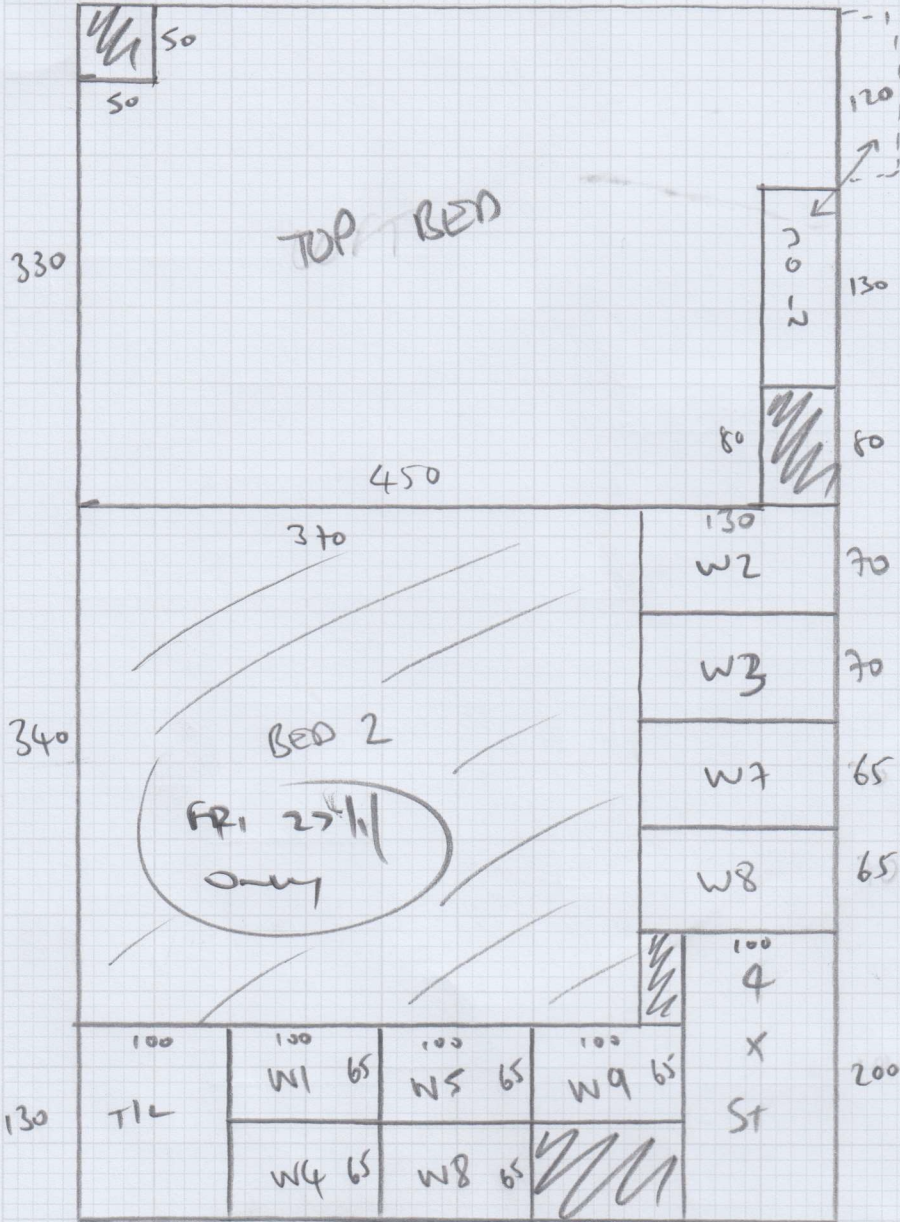
Job No: S 33808

Name: DEME

Address:

Tel:

Sheet: 1 of 2



800 x 500

ADRIAN

PT 1

BED 2 = 27/11

PT 2

ADRIAN

6/12

✓ TOP BED

✓ TOP SIL

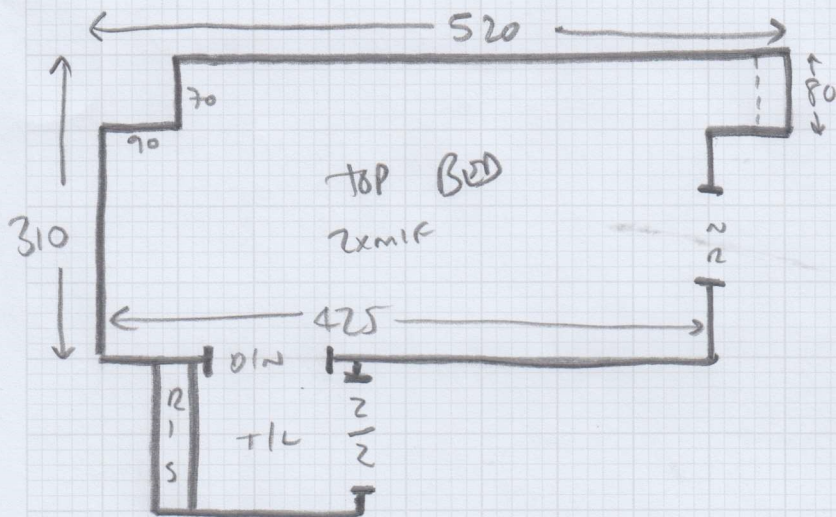
Job No: (S 33808

Name: DLWE

Address:

Tel:

Sheet: (2 of of (2



T/L = 120 or 2 x 85

W1 = 53 x 77

W2 = 55 x 101

W3 = 56 x 105

W4 = 56 x 71

W5 = 52 x 83

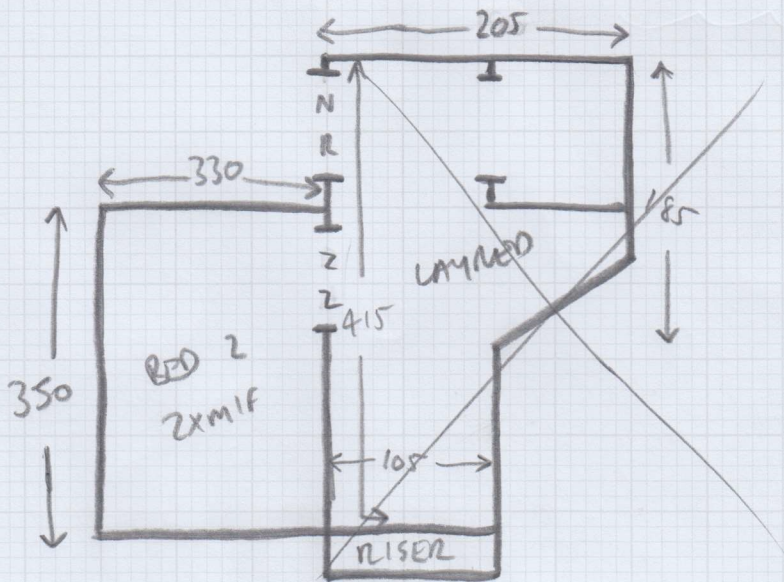
W6 = 58 x 106

W7 = 51 x 101

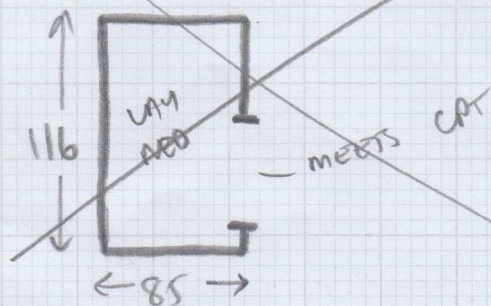
W8 = 54 x 76

4xST = 45 x 76

W9 = 58 x 87



3xSTR = 45 x 77



35-mm
40mm DROP
FOR NOSING