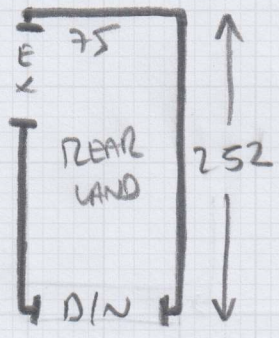
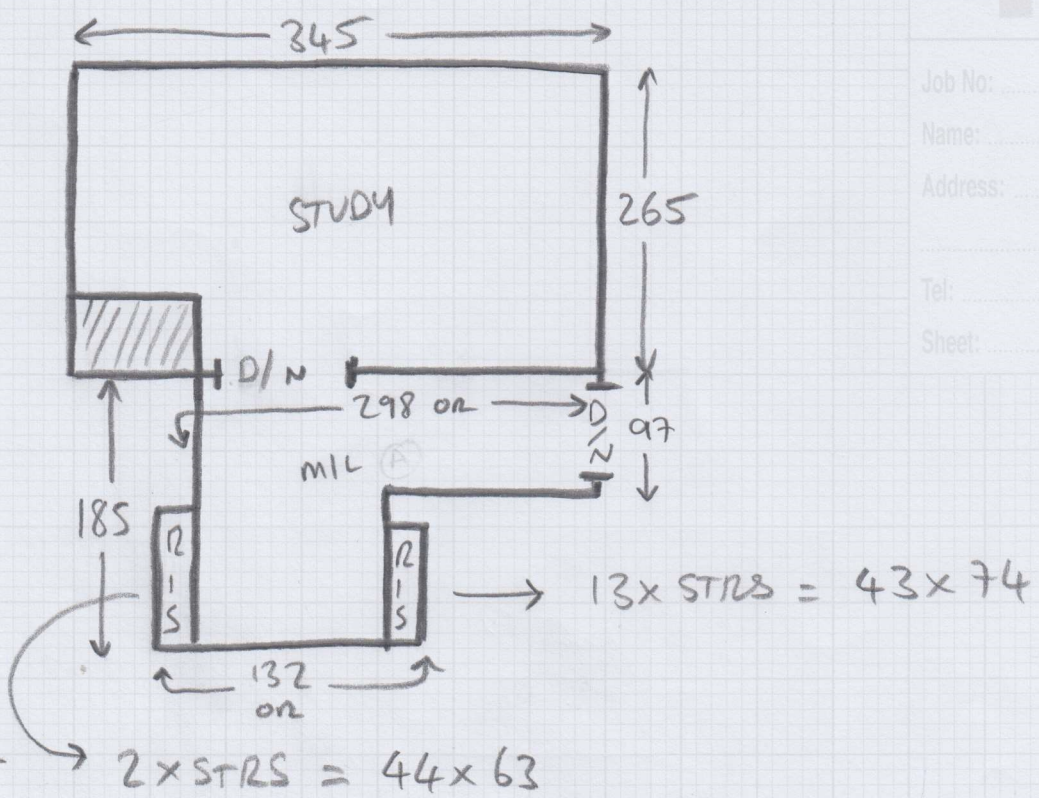


Job No: \_\_\_\_\_  
 Name: \_\_\_\_\_  
 Address: \_\_\_\_\_  
 Tel: \_\_\_\_\_  
 Sheet: \_\_\_\_\_ of \_\_\_\_\_



2x SMALL AREAS IN REAR BEDROOM REQ  
 PATCHWORK WITH UPLIFT.



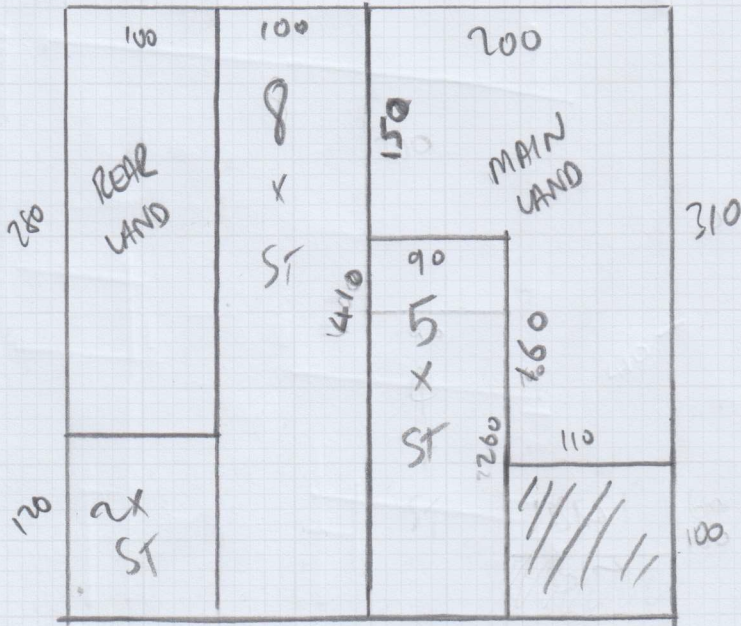
Job No: .....

Name: .....

Address: .....

Tel: .....

Sheet: ..... of: .....



PLAN - 410 x 400

STUDY / SPARE - 280 x 400

STUDY, MAIN LAND, 3x5 + 8x11 AU  
 REQUIRE 1x2 + 1x2 ONCE BUILDING  
 WORKS COMPLETED