

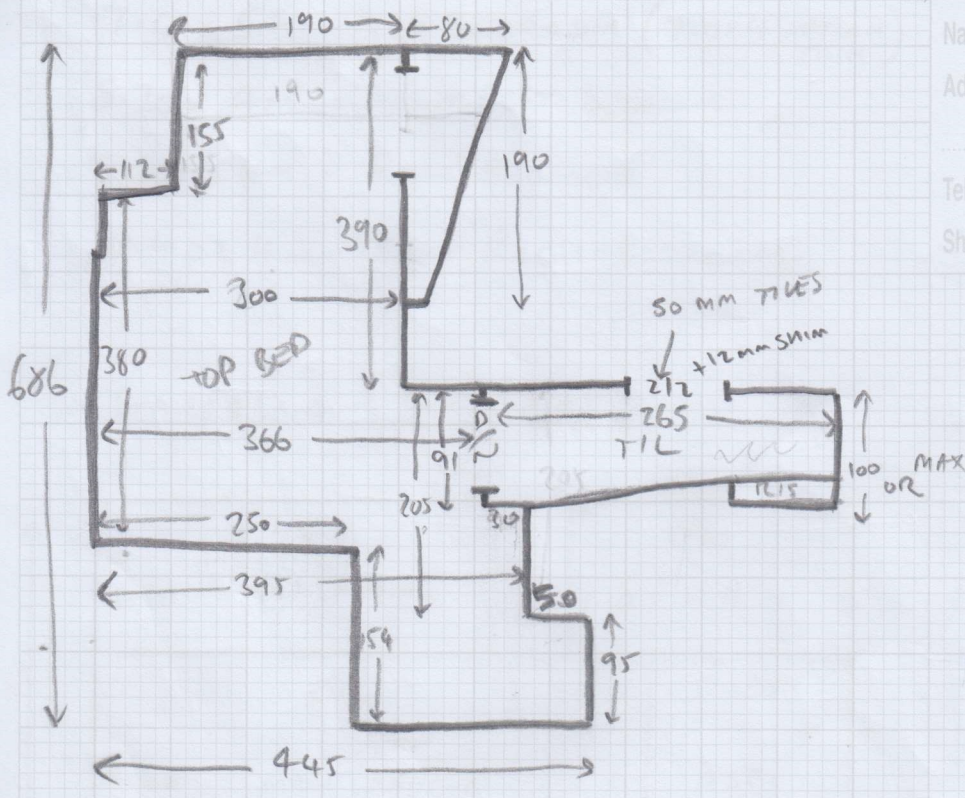
Job No: S33881

Name: _____

Address: _____

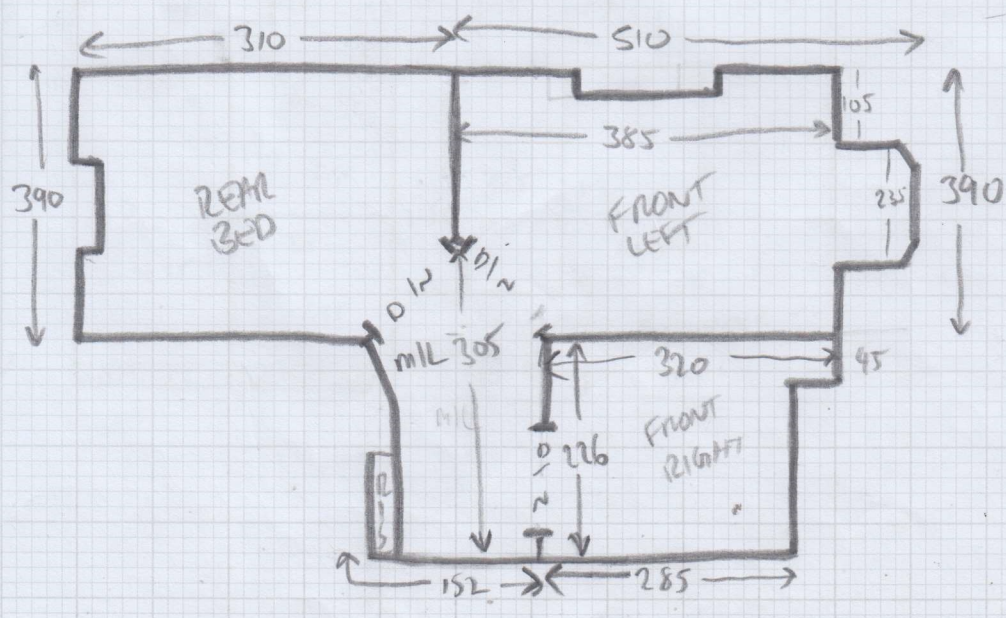
Tel: _____

Sheet: _____ of: _____



- TOP STRS =
- 2xST = 45x60 =
 - W1 = 53x69 =
 - W2 = 60x84 =
 - W3 = 67x57 =
 - 4xST = 45x60 =
 - W4 = 60x76 =
 - W5 = 68x88 =
 - W6 = 44x73 =
 - W7 = 44x73 =
 - W8 = 44x73 =
 - W9 =

- MAIN STRS =
- 3xST = 41x77 =
 - W9 = 60x93 =
 - 1/4 LAND = 111 OR x 85 =
 - 2xST = 41x76 =
 - W10 = 62x92 =
 - W11 = 68x110 =
 - W12 = 68x78 =
 - 3xST = 41x77 =
 - W13 = 60x91 =
 - W14 = 66x114 =
 - W15 = 71x79 =
 - BIN = 41x120 =



Job No: _____
 Name: _____
 Address: _____
 Tel: _____
 Sheet: _____ of _____

WALL STREET COL MARGARITA

FIRST FLOOR FRONT LEFT

520 x 500 (WT DOWN TO 4M)

BROADWAY COL MARGARITA

FRONT RIGHT - 240 x 400

REAR BED - 320 x 400

TOP BED - 700 x 400

