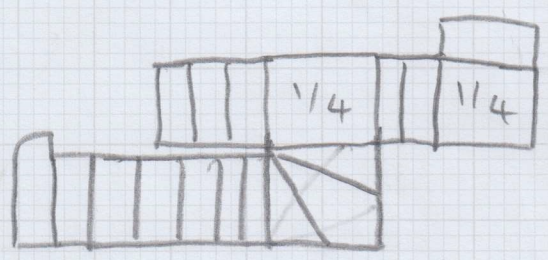
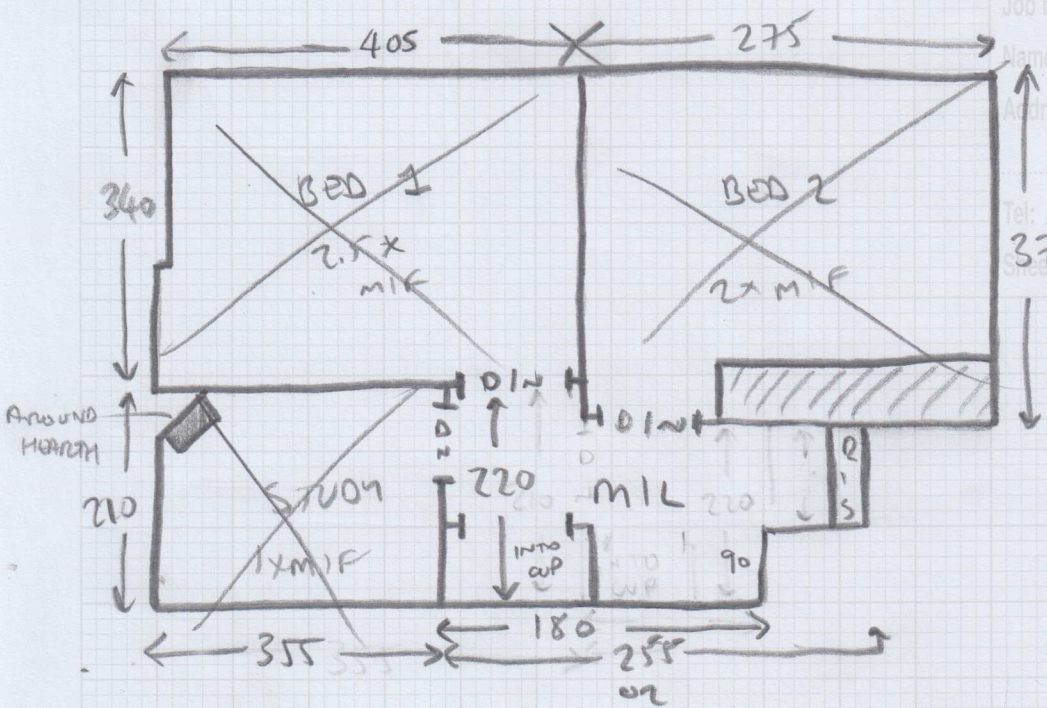


Job No: 593 913

Name:

Address:

Tel: 370 1 / 2



- 3xST = 40 x 87 -
- 1/4 LAND = 108 or 2 x 94 -
- 2xST = 44 x 67 -
- 1/4 LAND = 110 or 2 x 77 -
- 1xST = 47 x 74 ← TUCK UP TO TILES -
- W1 = 63 x 93 -
- W2 = 71 x 120 -
- W3 = 66 x 85 -
- 6xST = 39 x 87 -
- DIN = 36 x 101 -

