

Job No: 533918

Name: PAUL

Address: (100k)

Tel:

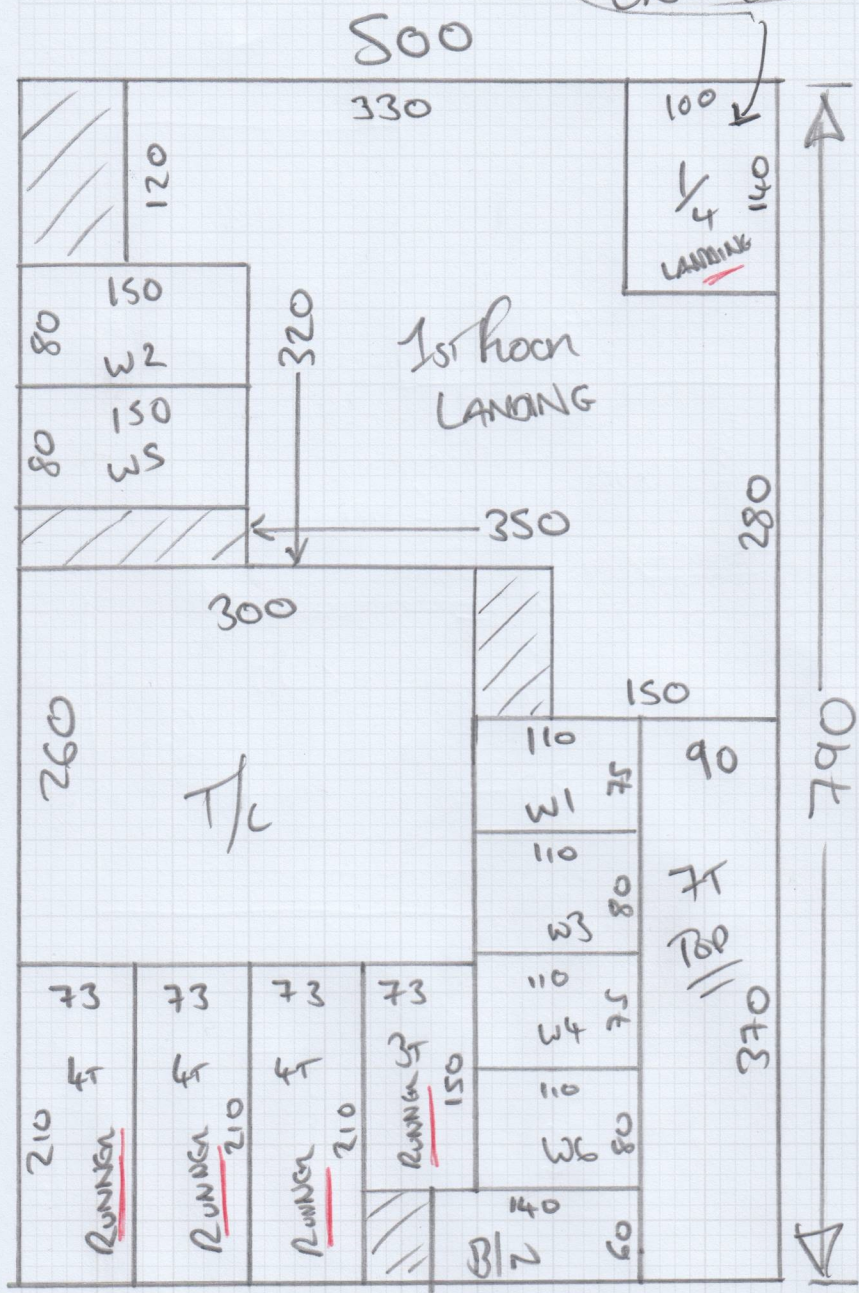
Sheet: of:

CHelsea

- CASTLELAND

790 x 500

SHAPE 1/4 LANDING
ON SITE

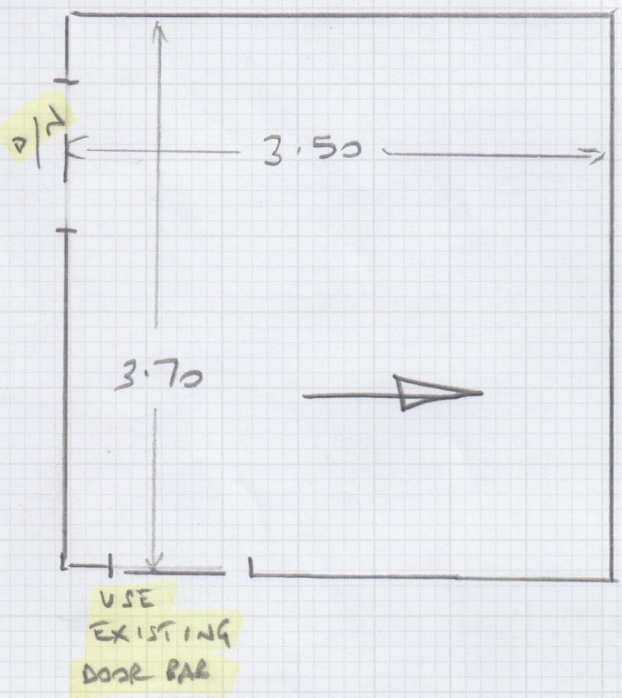


↑ ↑ ↑

THESE STAIRS ALL
AS 73cm WIDE RUNNERS
(WRAPPED)
MUST MATCH STRIPES DOWN
FROM 1ST LANDING + 1/4 LANDING

Job No: S33918
Name: DEBORAH PAUL
Address: 15 DUNCARVAN AVE
SWIS SQV
Tel: 07445 503305
Sheet of 4

GUEST BEDROOM



- WOOD FLOOR
- NO UPLIFT
- NO FURN
- ROOM WILL BE EMPTY AT TIME OF FITTING
- BUILDER IS UPLIFTING EXISTING CARPET + UNDERLAY

CARPET CHOSEN: COTSWOLD COLORFAST
NEPAL KANPUR - KAN-622

CUT REQUIRED: 3.60 x 4.00 (GUEST BEDROOM)

CUT REQUIRED: 7.30 x 5.00 (LOFT BEDROOM)

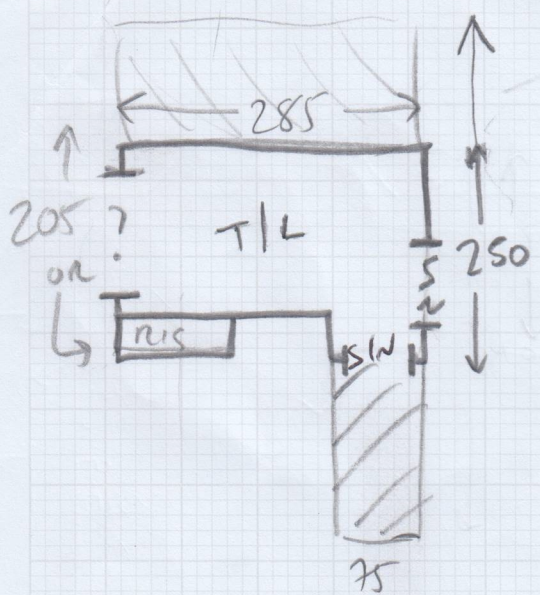
Job No: 533918

Name: PAUL

Address: 3004

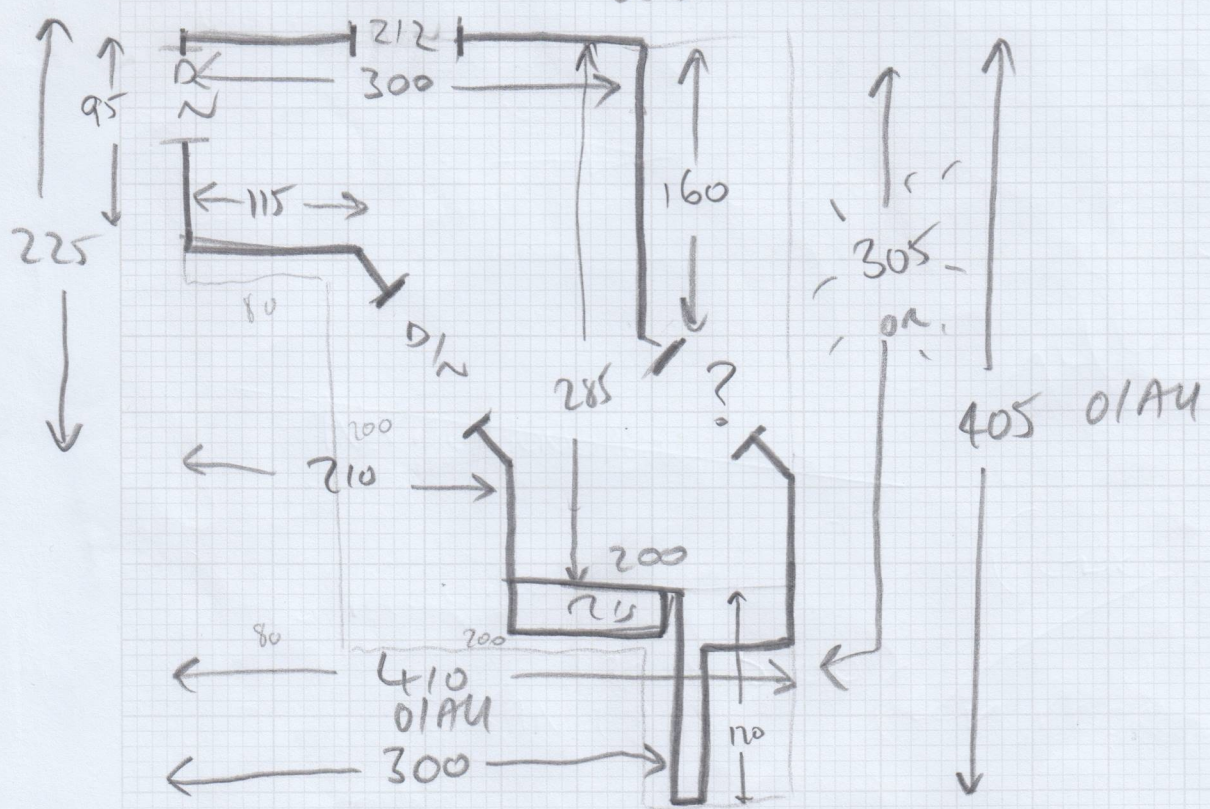
Tel:

Sheet: of:



- 3xST = 45x79 ✓
- W1 = 65x92 ✓
- W2 = 71x114 ✓
- W3 = 70x79 ✓
- 1xST = 45x81 ✓
- W4 = 65x93 ✓
- W5 = 73x114 ✓
- W6 = 70x78 ✓

- 3xST = 45x79 ✓
- BIN = 45x100 ✓

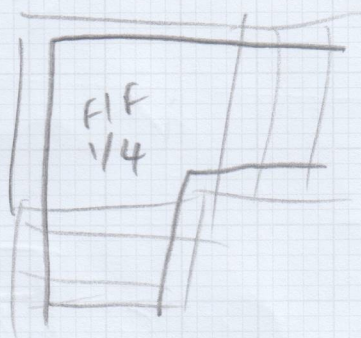
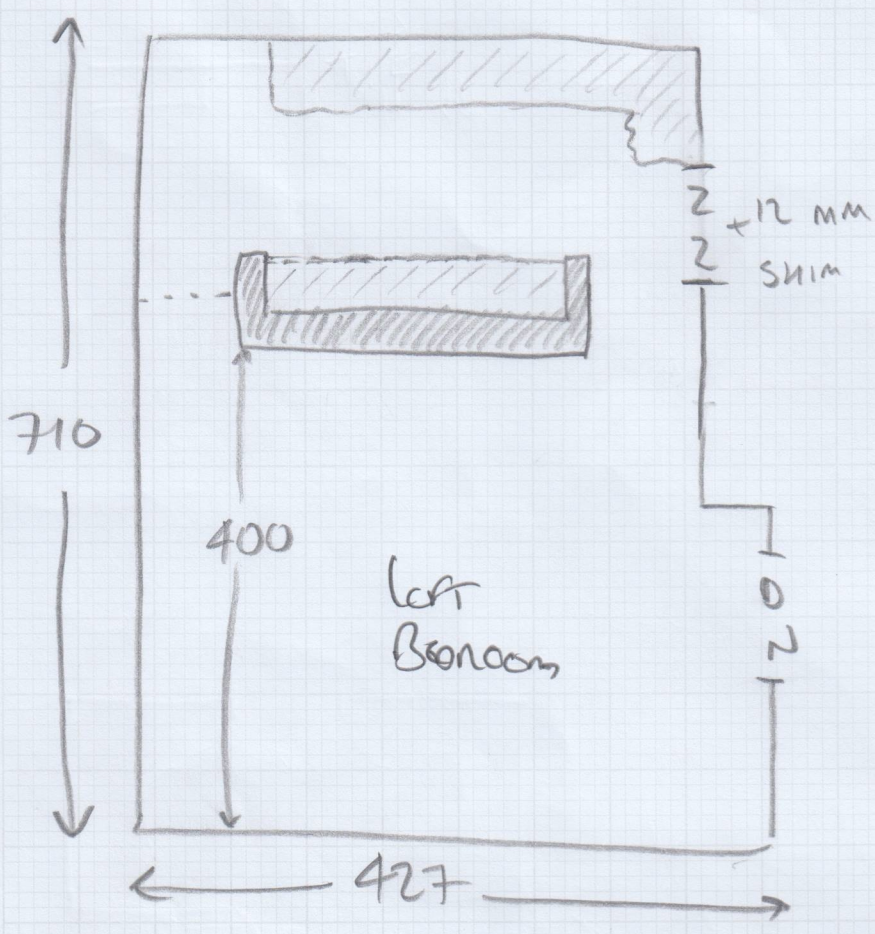


- 6xST = 42x83 ✓
 - 1/4 LAND = 108 OR x 85 ✓
 - 8xST = 44x83 ✓
 - BIN 2 = 42x100 ✓
- } 73 CM WIDE RUNNER

Job No: 533918
Name: PAUL

Address: (404)

Tel: _____
Sheet: _____ of: _____



NO UPS ON TOP CAND
 5cm GAP - WHIPPED FIF/14

[Faint handwritten notes and scribbles at the bottom of the page, including the words 'SINGLE' and 'GAP']