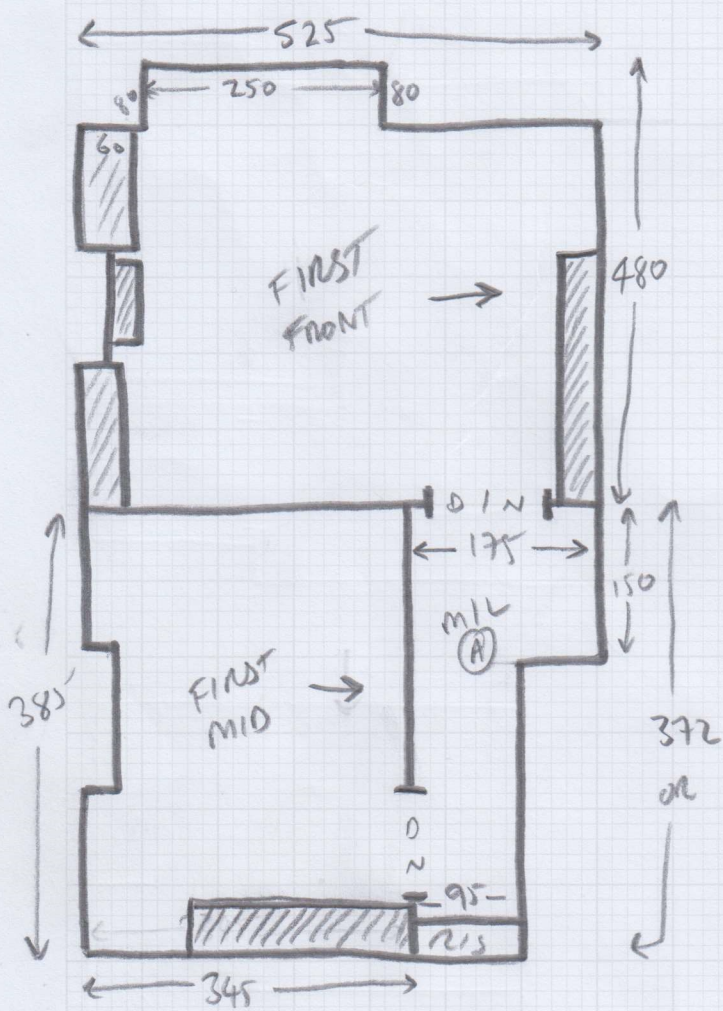
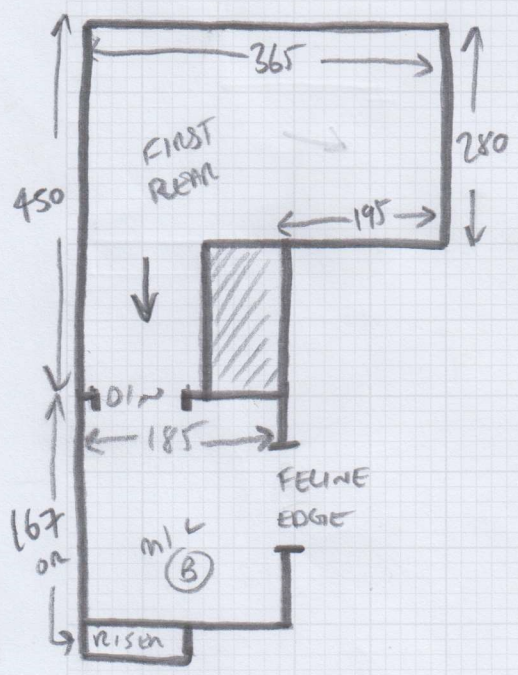


Job No: 534013
 Name: _____
 Address: _____
 Tel: _____
 Sheet: _____ of: _____

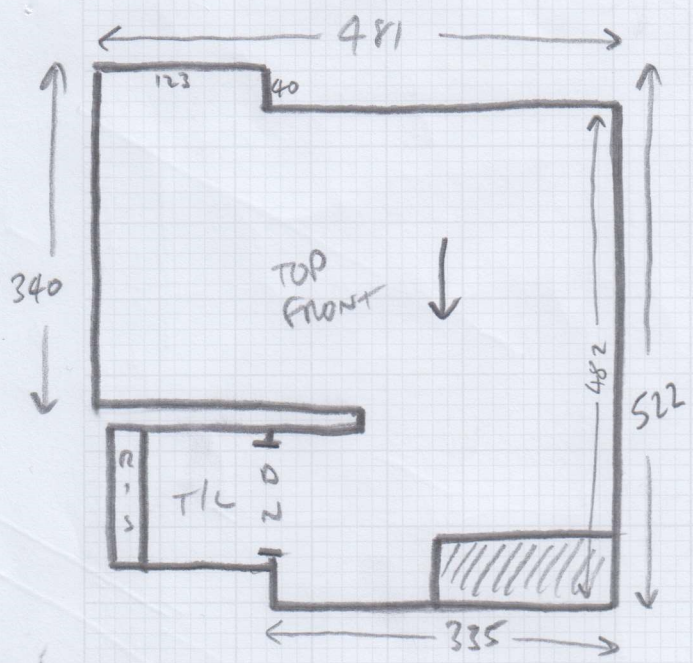


2xSTMS = 42x82 -
 ↓ TO MIL (B) ↓

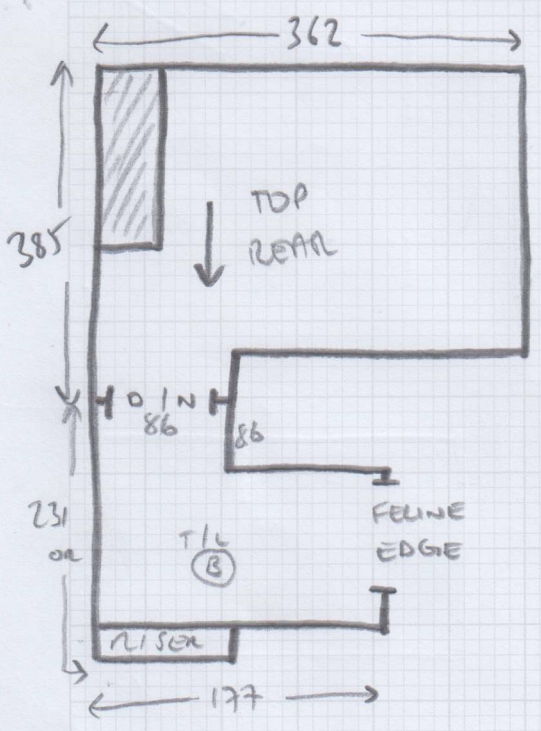


12xSTMS = 43x83 -
 BIN 2 = 45x100 -
 ↓ TO GROUND FLOOR ↓

Job No: **534015**
 Name: _____
 Address: _____
 Tel: _____
 Sheet: _____ of: _____

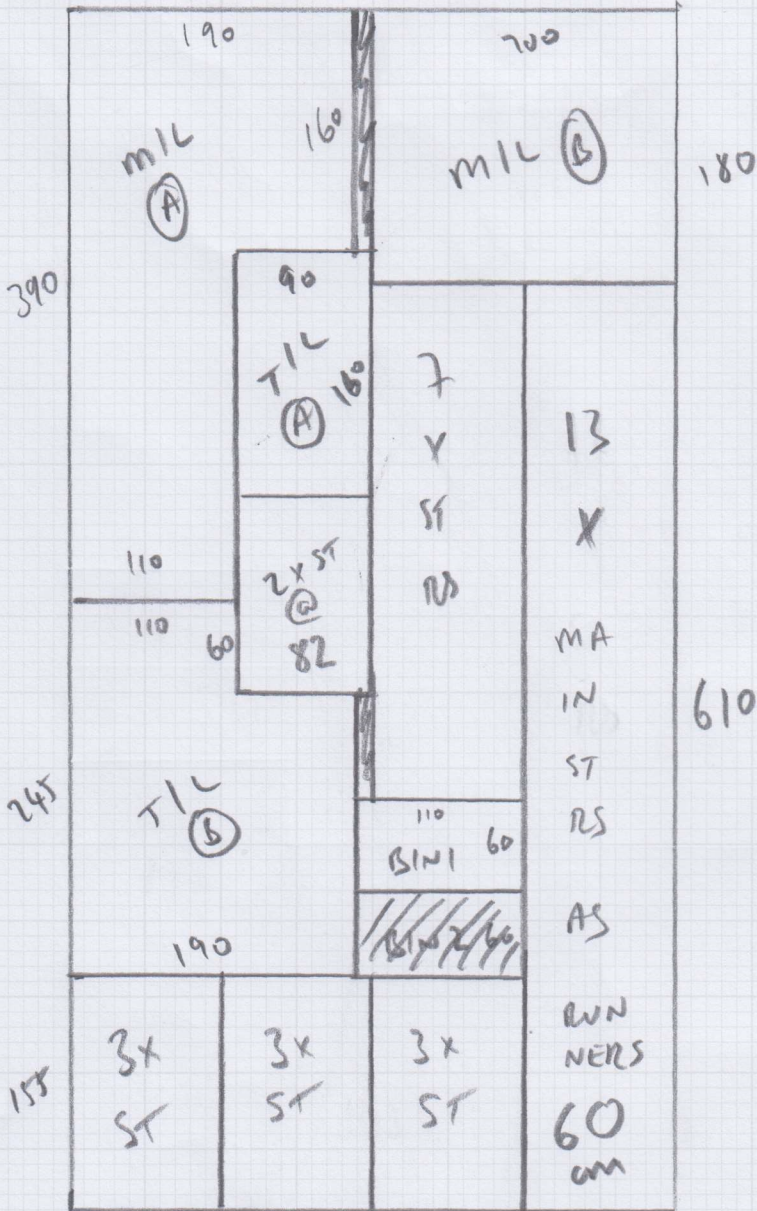


T/L = 15102 x 79 /
 3 x ST = 44 x 79 -
 BIN = 45 x 95 -
 ↓ TO T/L (B) ↓



12 x STMS = 41 x 84 -
 ↓ TO MIL (A) ↓

Job No: _____
 Name: _____
 Address: _____
 Tel: _____
 Sheet: _____ of: _____



ST LANDS
 790 x 400

FINELOOP
 FLO-503

FIRST FRONT = 540 x 500
 FIRST MID = 360 x 400
 FIRST REAR = 460 x 400
 TOP REAR = 395 x 400

VENEZUELA
 VEN - 021

TOP FRONT = 540 x 500

ELEMENTS
 TIME SQUARE
 WHISKEY SOUR