

BEDROOMS & WALL STREET

CUTS

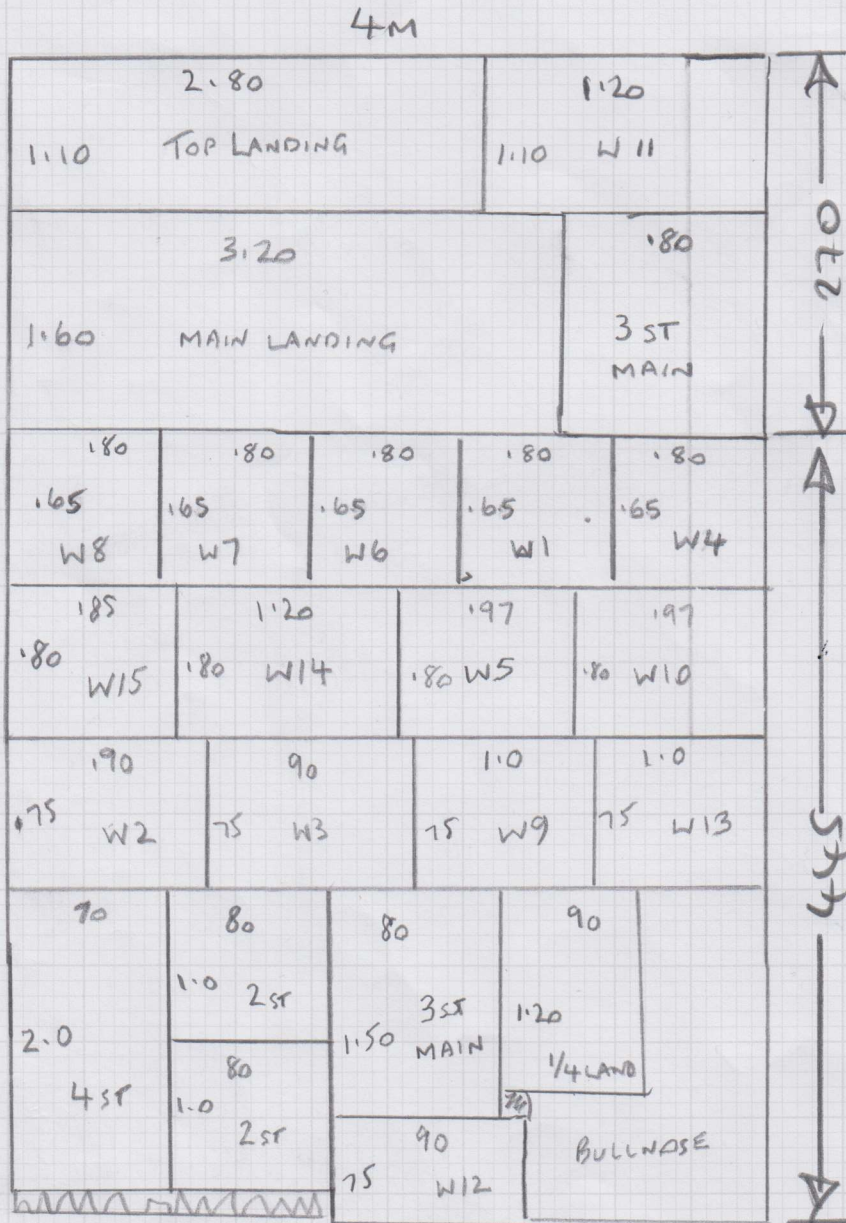
7.0 x 5m = TOP BEDROOM (7.0 x 4 option JOIN)

5.20 x 4m = FRONT LEFT BEDROOM

3.20 x 4m = REAR BEDROOM

2.40 x 4m = FRONT RIGHT BEDROOM

STAIRS & LANDING CUT PLAN



Job No: 534088

Name: DANIEL

Address:

Tel:

Sheet:

1 of 2

RUSTIC CROFT

- SOFT LIME

270 x 400

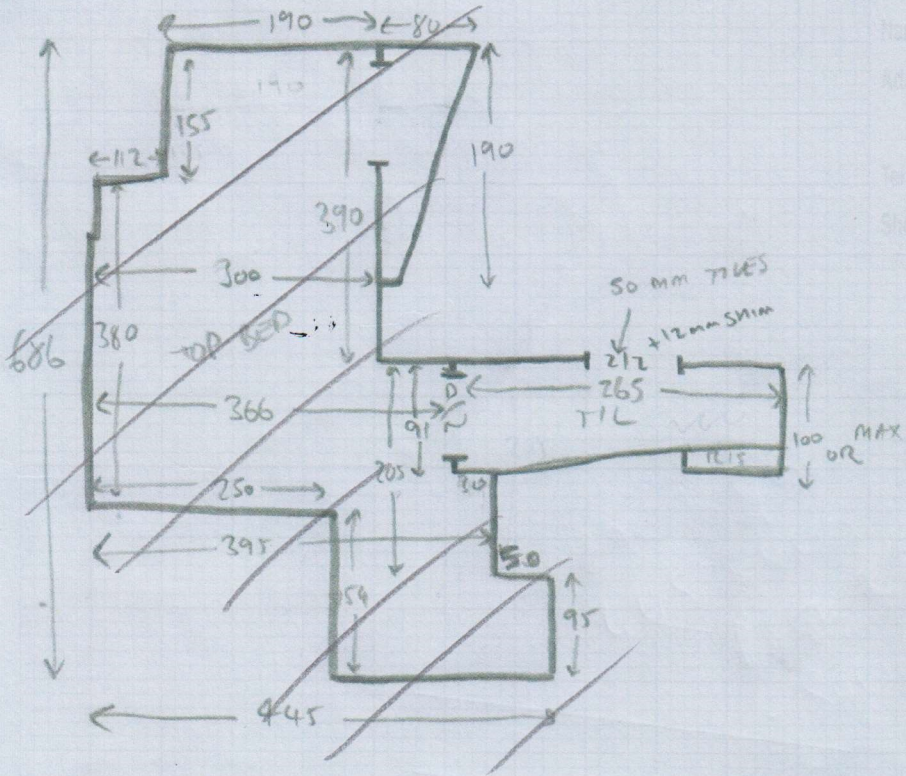
445 x 400

= 28.6m²

534088

DANGAL

2 of 2



- TOP STRS =
- 2xST = 45x60 =
 - w1 = 53x64 =
 - w2 = 60x84 =
 - w3 = 67x57 =
 - 4xST = 45x60 =
 - w4 = 60x76 =
 - w5 = 68x88 =
 - w6 = 44x73 =
 - w7 = 44x71 =
 - w8 = 44x73 =

- MAIN STRS =
- 3xST = 41x77 =
 - w9 = 60x93 =
 - 1/4 LAND = 111 OR 85 =
 - 2xST = 41x76 =
 - w10 = 62x92 =
 - w11 = 68x110 =
 - w12 = 68x78 =
 - 3xST = 41x77 =
 - w13 = 60x91 =
 - w14 = 66x114 =
 - w15 = 71x79 =
 - BIN = 41x120 =

NO TILES DOWN YET

