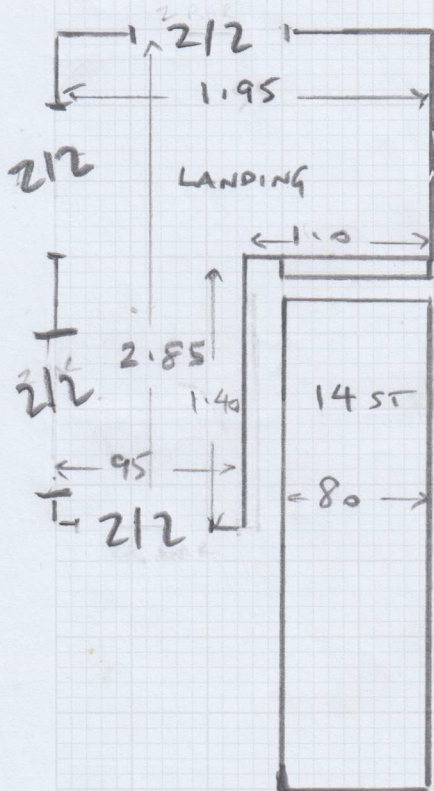
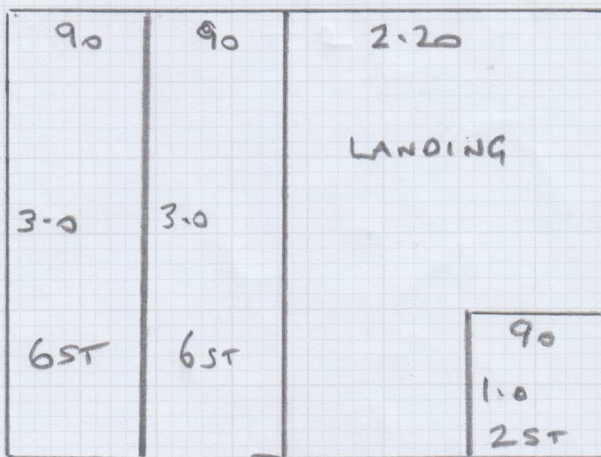


Job No: **S34134**
 Name: **BOOR - HANDFORD**
 Address: **56 DYERS LANE**
SW15 6JT
 Tel: **07711 308981**
 Sheet: _____ of: _____



CUT PLAN
4M



S34134 Boor - Handford

Rutland Street 2022 46-25

4-62

4-03

~~ESTIMATE FOR STAIRS~~