

CUTS + PLANS

- 4.60 x 4.00 = LOUNGE
- 3.80 x 4.00 = FRONT BED
- 2.90 x 4.00 = REAR BED
- 10.30 x 4.00 = PLAN

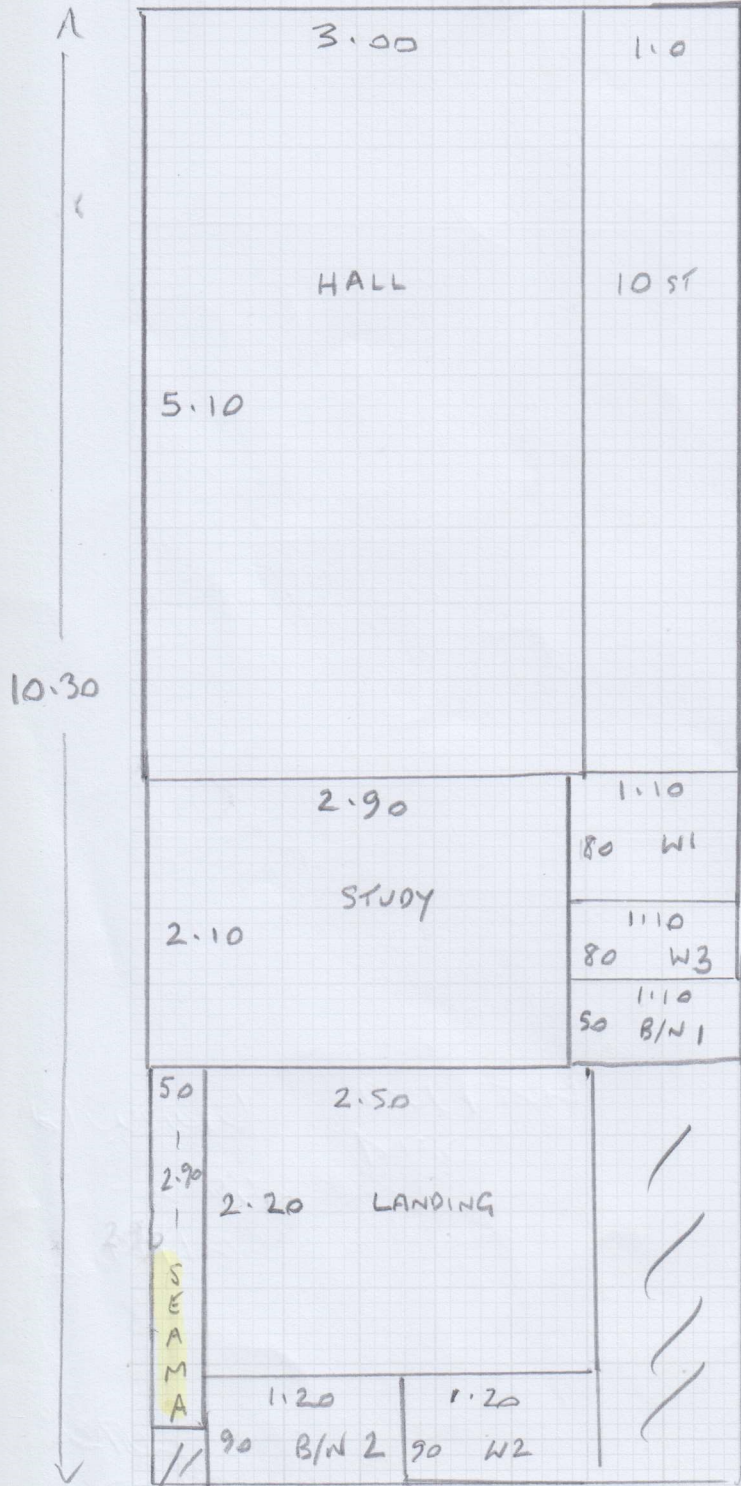
Job No: S34284

Name: EDEY

Address:

Tel:

Sheet: 1-3



VICTORIAS  
 TUDOR TWIST 53  
 'CARBON'

Job No: S 34284

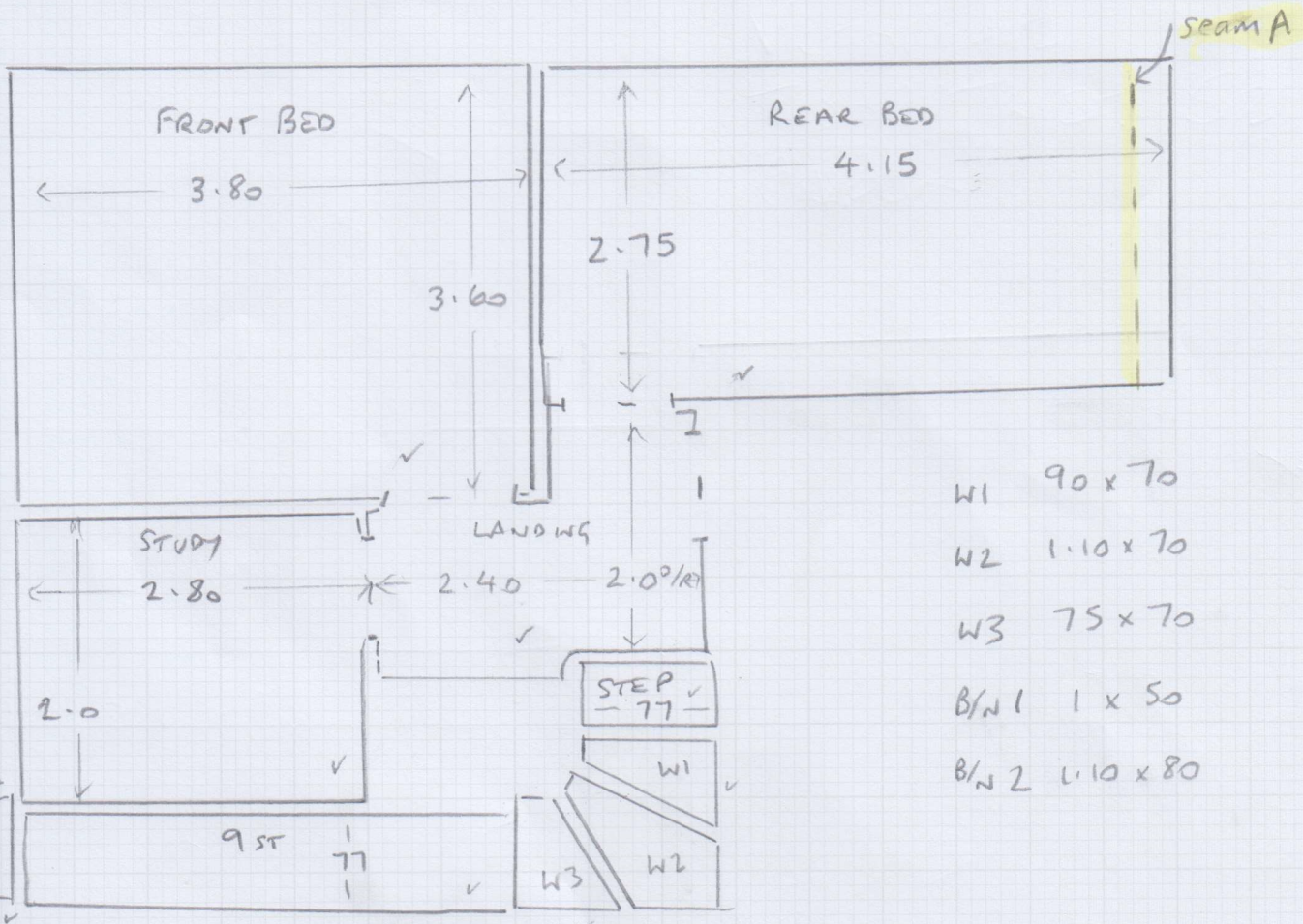
Name:

Address:

Tel:

Sheet: 2-3

ALL DOORS TO BE SEAMED  
NO DOOR BARS



- W1 90 x 70
- W2 1.10 x 70
- W3 75 x 70
- B/N 1 1 x 50
- B/N 2 1.10 x 80

Job No: 334284

Name: \_\_\_\_\_

Address: \_\_\_\_\_

Tel: \_\_\_\_\_

Sheet: \_\_\_\_\_

3-3

ALL DOORS TO BE SEAMED  
NO DOOR BARS

