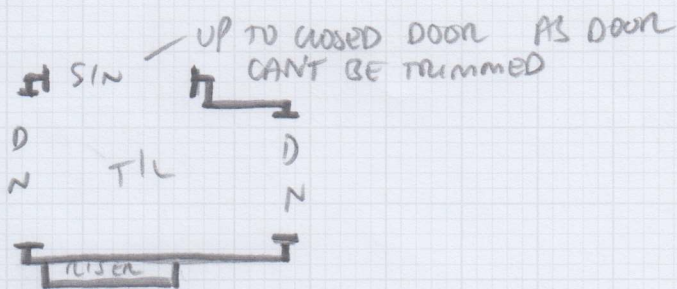


Job No: 534593
Name: HOLNILOTE

Address:

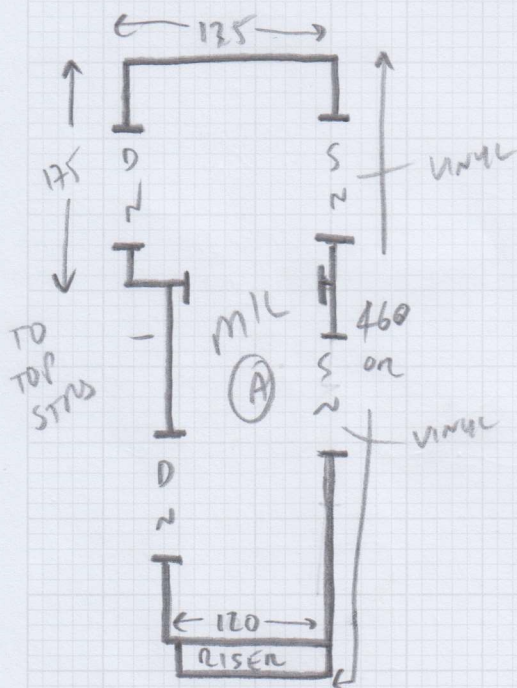
Tel:

Sheet: 1/2

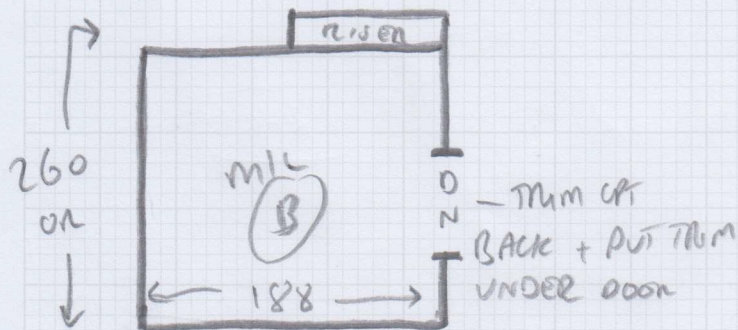


T/L = 110 OR x 125 -

15 x ST = 45 x 75 -



3 x ST = 45 x 87 -



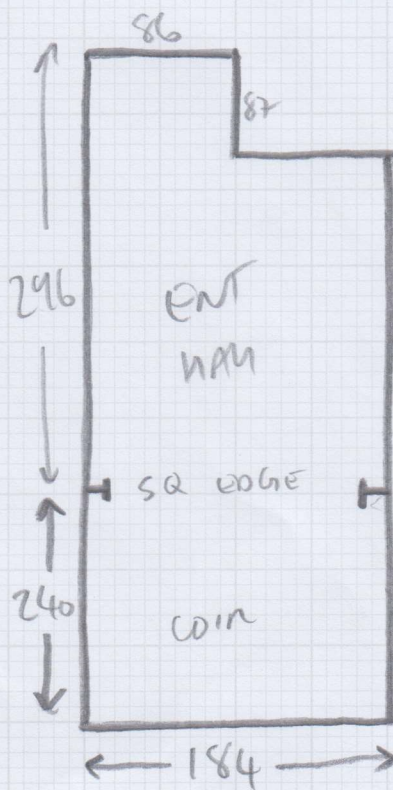
11 x ST = 40 x 79 -

W1 = 63 x 93 -

W2 = 73 x 117 -

W3 = 66 x 77 -

EASUCARE TWIST
COLOUR 42
10.40 x 4.00





Job No: S34593
Name: _____
Address: _____
Tel: _____
Sheet: 2/2

