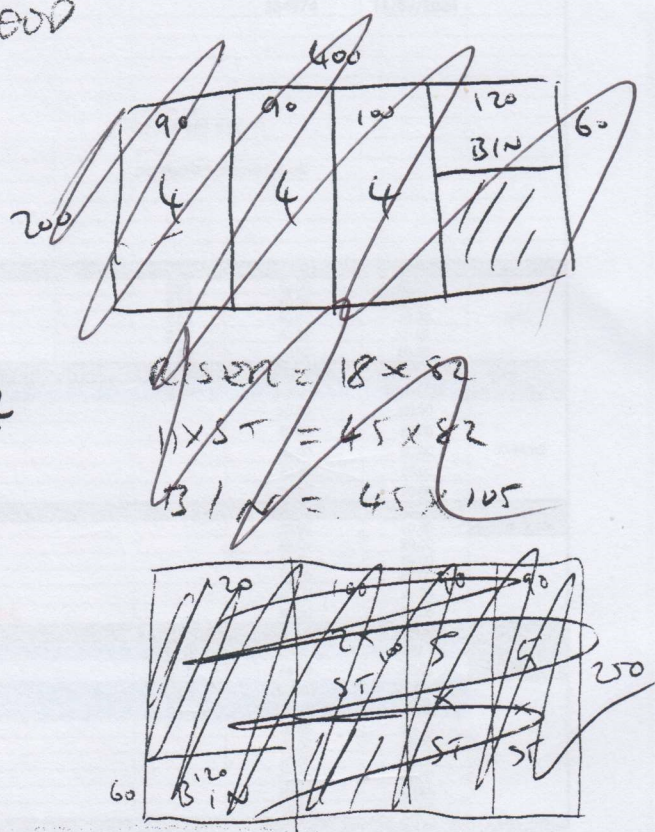
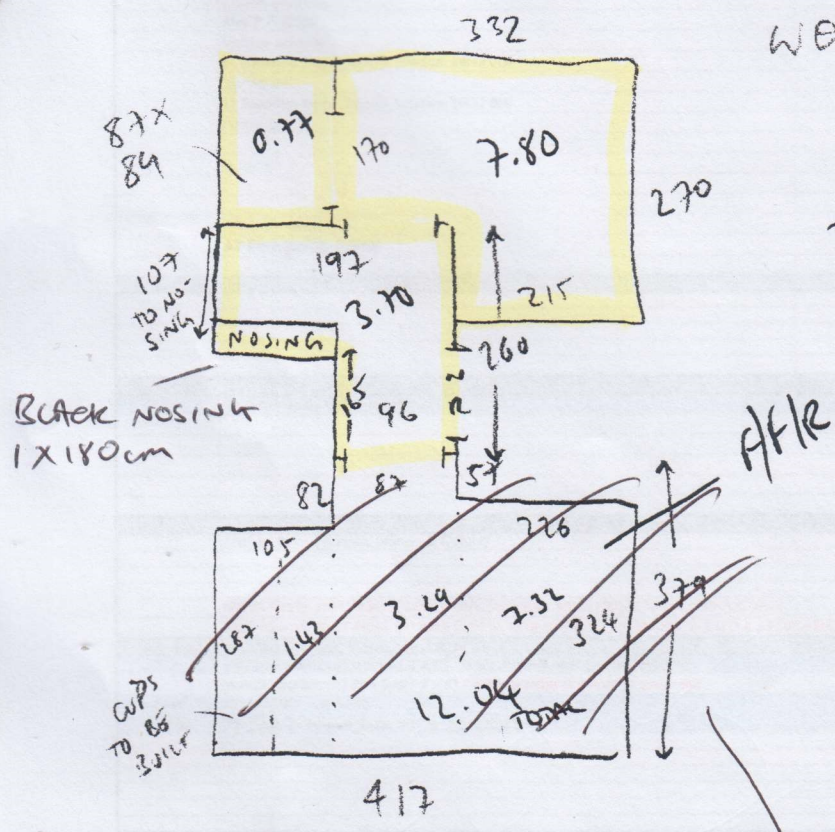
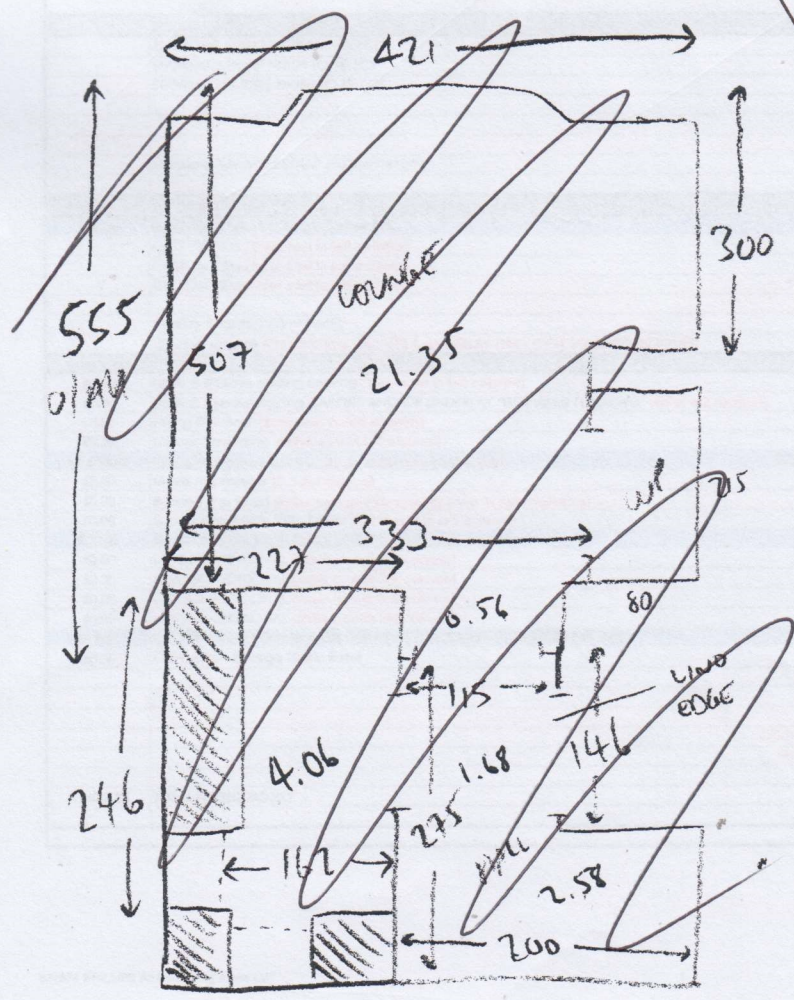


- CAN FOR HELP WITH FURN IF NEX
- PUT AN AREAS
- FIT NEW LUT + NOSING



CONCRETE



~~7.80~~
 FIFIR = 12.04 NET
 ALL
 REM = 42.50
 AREAS NETT

DONE