



Job No: S 34939

Name: MEERAN

Address: (10F2)

Tel:

Sheet: of:

FAUX SILK

- FAUC017

225 x 400

465 x 400

400

380

Box  
360

380

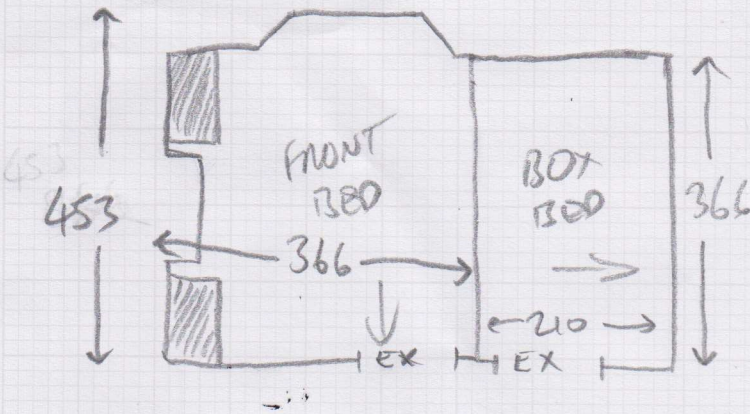
front  
360

225

465



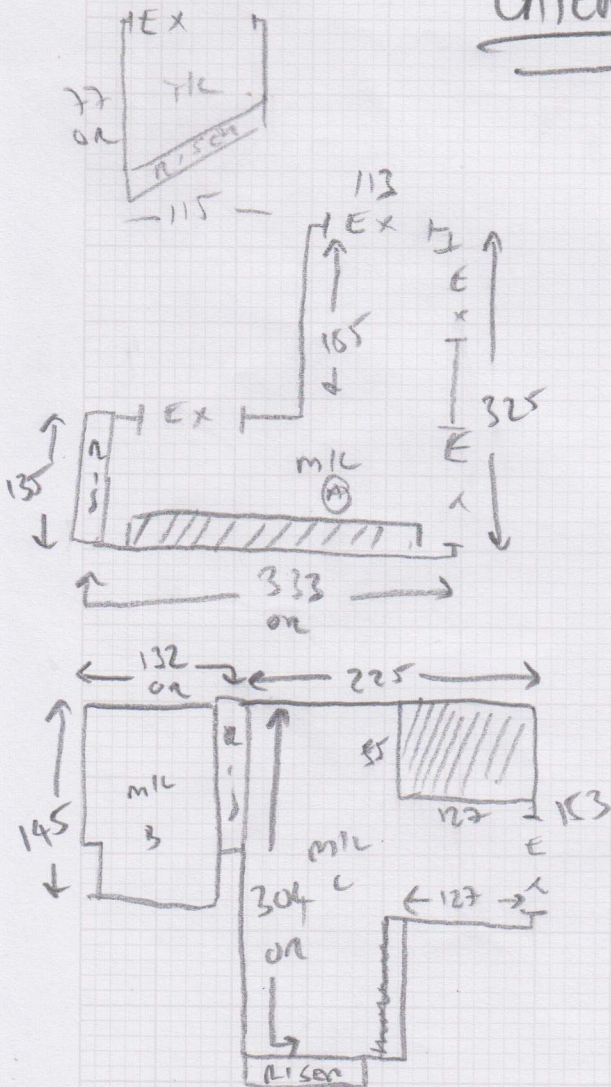
Job No: 534939  
 Name: MEERHAN  
 Address: 20F2  
 Tel:  
 Sheet: of:



← QUOTE FOR NON

NO UID REQ  
 3xM/F  
 EXISTING GRIPPER  
 NEW ULAM + CRT IN BOY BED

LATER DATE



- TIL = SEE PLAN
- W1 = ~~77~~ 64 x 74
- 1xST = 45 x 78
- W2 = 67 x 87
- W3 = 70 x 104
- W4 = 65 x 73
- 6xST = 45 x 76
- MIL (A) = SEE PLAN
- 4xST = 45 x 115
- MIL (B) = SEE PLAN
- MIL (C) = SEE PLAN
- 2xST = 45 x 87
- 1/2 LAND = 113 OR x 176
- 8xST = 45 x 87
- BIN = 45 x 120

HF NUMBER }  
 60 cm }  
 1 }  
 STY UNM }  
 1/2 FULL WIDTH