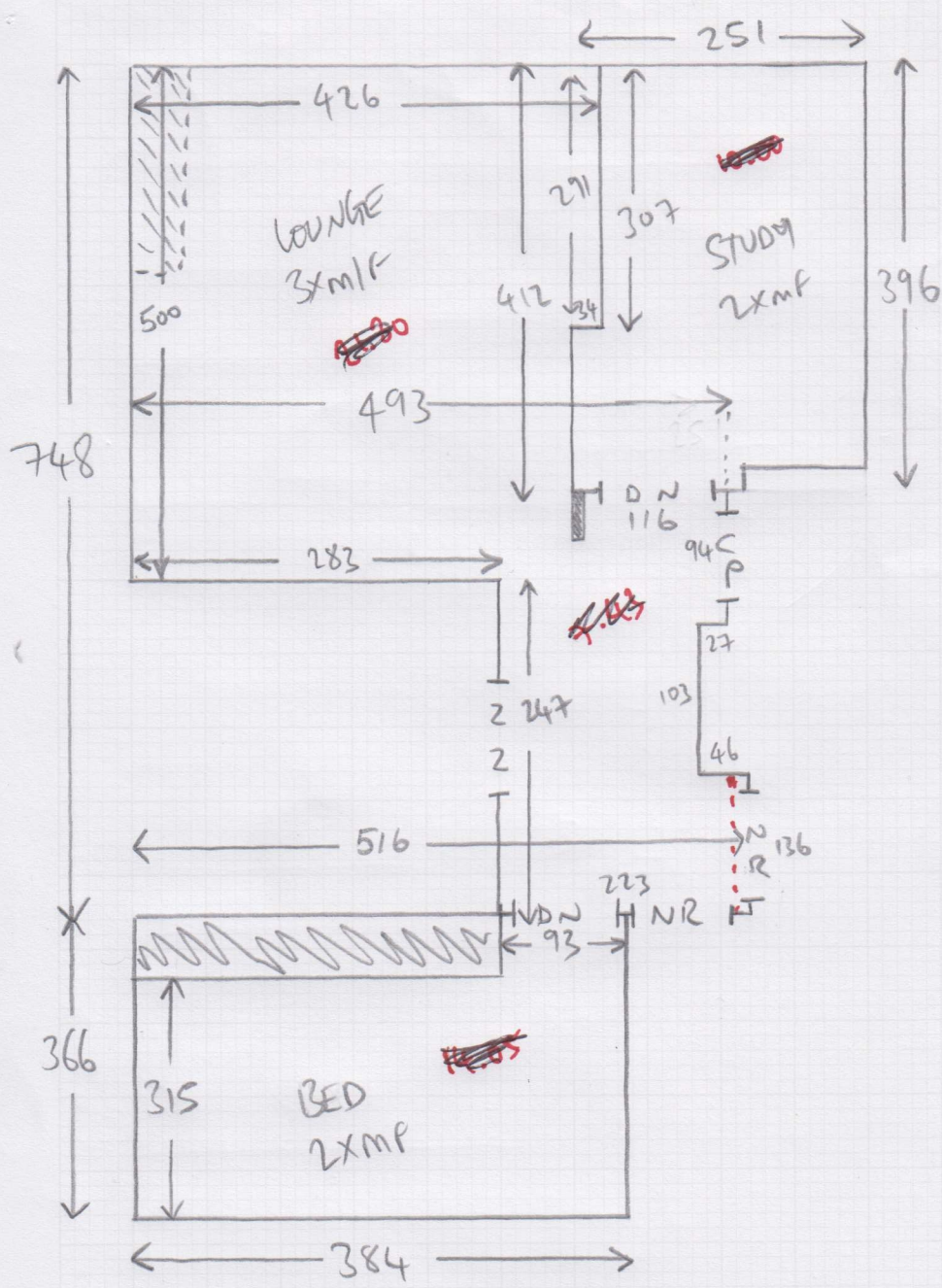


Job No: 534961
 Name: _____
 Address: _____
 Tel: _____
 Sheet: 1/2



52.78m²
 + WASTE
 18x PACKS OF 20896
 = 57.78

Job No: 834961
Name:
Address:
Tel: 2/2
Sheet:

1310 x 500
66.50 m²

