

Job No: S35216

Name: Gene

Address:

Tel:

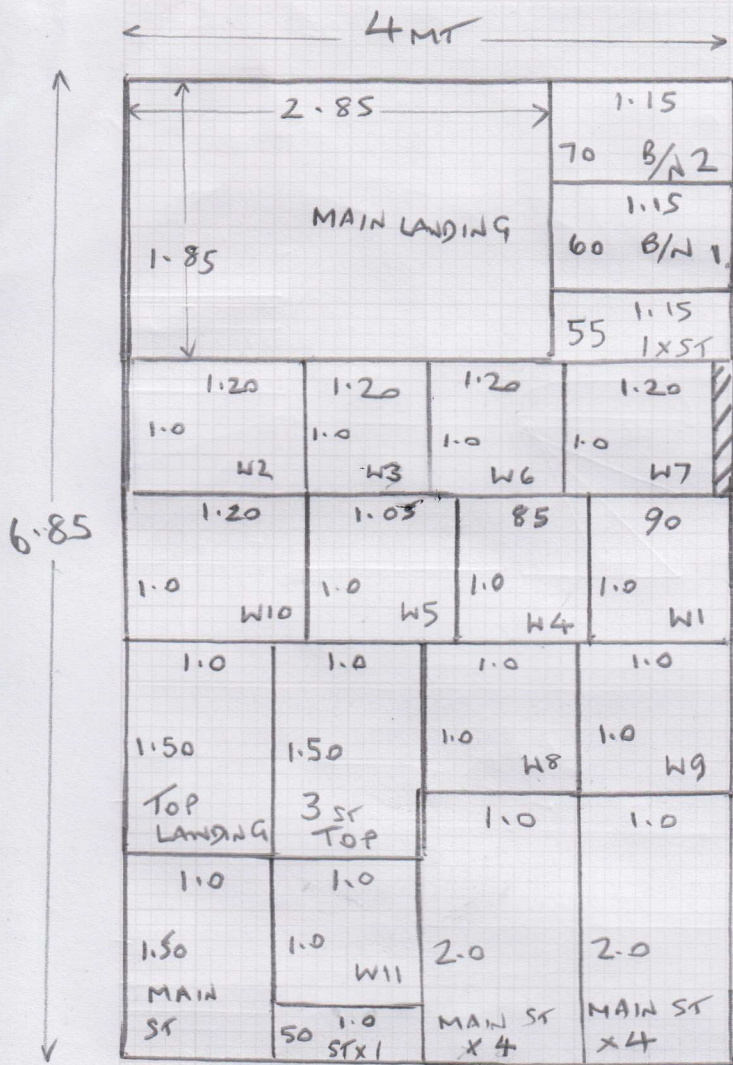
Sheet:

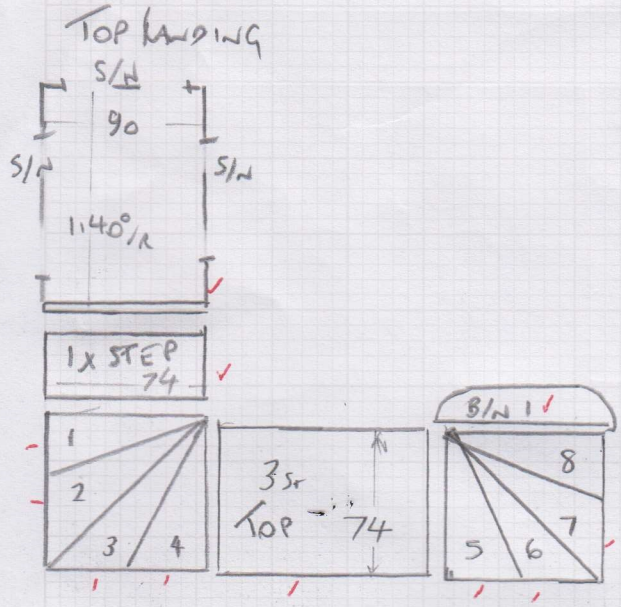
1 of 2

MAGGONIA

- 609/27

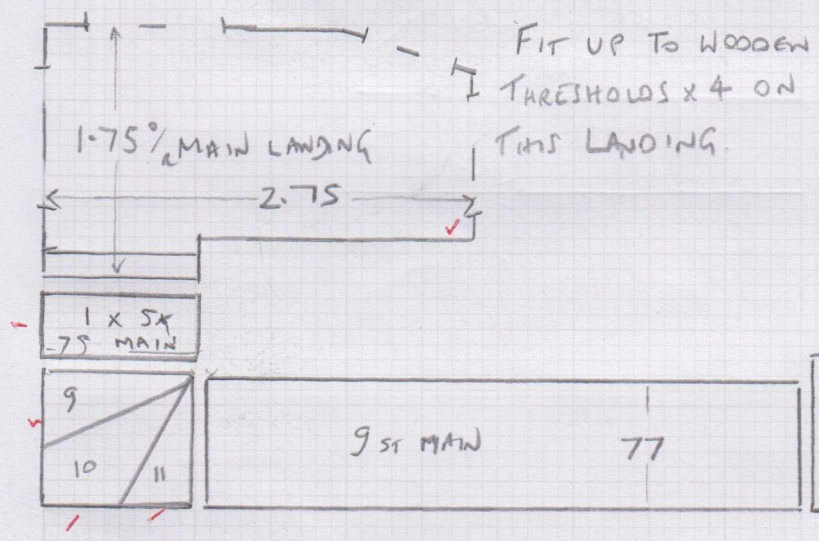
CUT = 6.85 x 4MT





- W1 80x80 ✓
- W2 1.10x85 ✓
- W3 1.10x80 ✓
- W4 75x80 ✓
- W5 80x80 ✓
- W6 1.10x85 ✓
- W7 1.10x85 ✓
- W8 80x80 ✓
- B/N 1 90x50 ✓

535216  
Gone  
2012



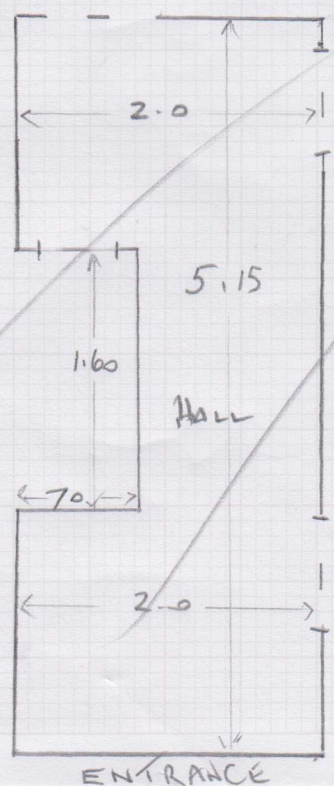
- W9 85x80 ✓
- W10 1.10x85 ✓
- W11 74x80 ✓
- B/N 2 1.10x60 ✓

MACEDONIA  
COLOR: 609/27

UPLIFT CARPET + U/Lay  
6mm ply  
leather finish

Reers 55  
MATTINA  
34.38  
COLOR: 46643

10.14  
11.3  
1.12



HALL  
4.86m PB  
3 boxes