

Job No: STR10E

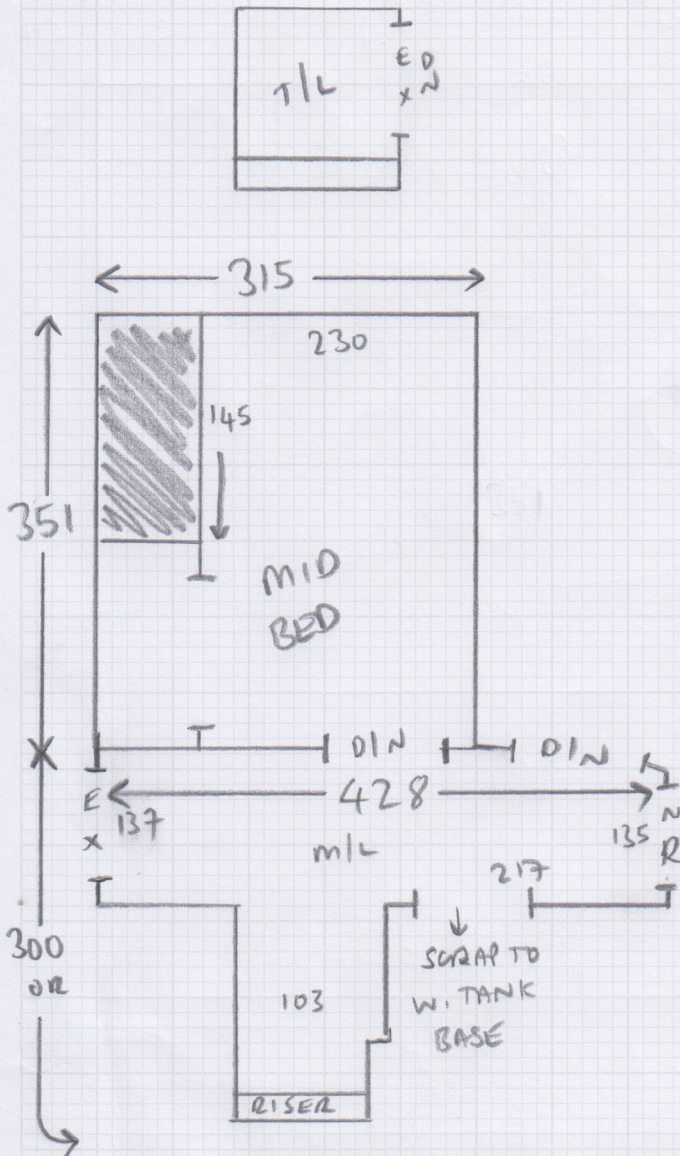
Name: S35745

Address:

Tel:

1/2

Sheet: of:



✓ T/L = 110 or x 90

✓ 12xST = 45 x 75

✓ B/W = 45 x 90

M/L = SEE PLAN

✓ 1xST = 45 x 79

✓ 1/4 = 102 or x 80

✓ 1xST = 45 x 81

✓ 1/4(B) = 106 or x 81

✓ 9xST = 45 x 81

✓ B/W 2 = 100 x 177

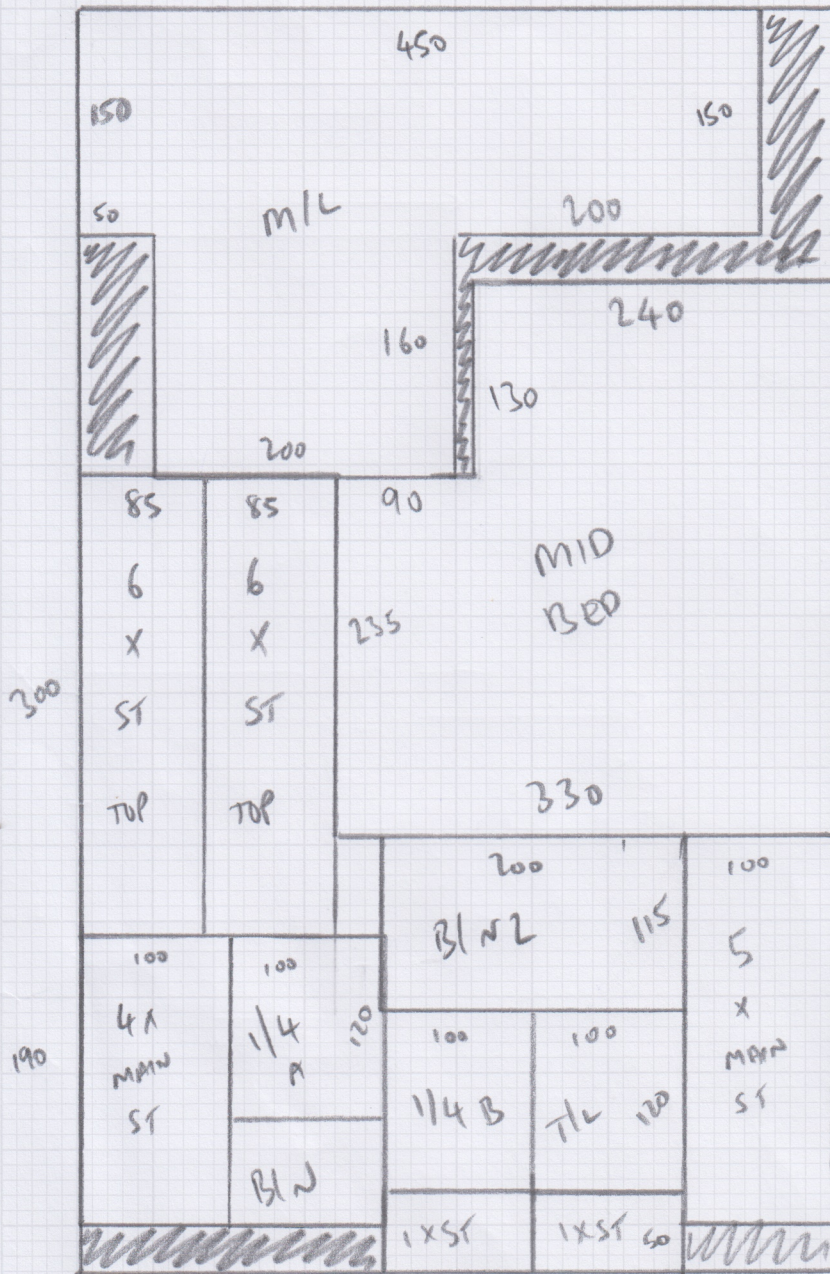
Job No: S35745

Name: STRIDE

Address:

Tel: 2/2

Sheet: of:



365

ULLSTATER &
BTTY - 14,
8.30 x 5m

255

830 x 500