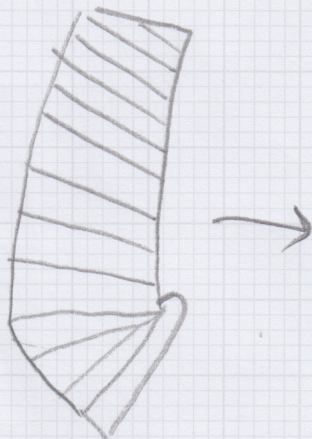
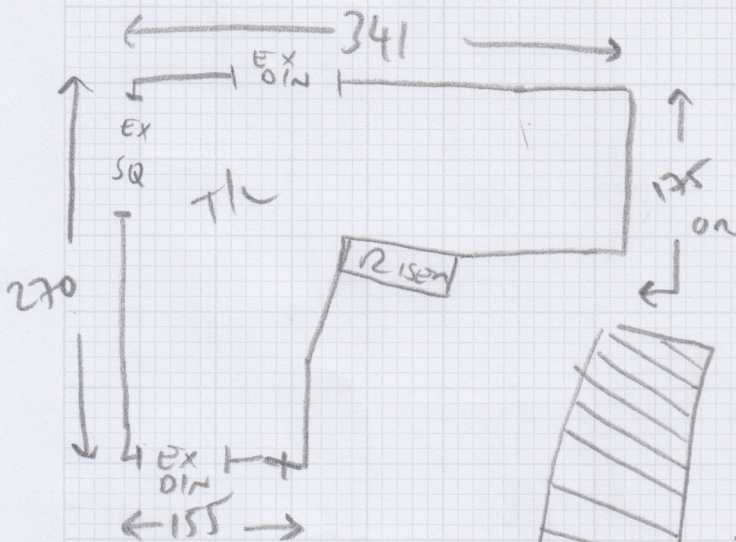
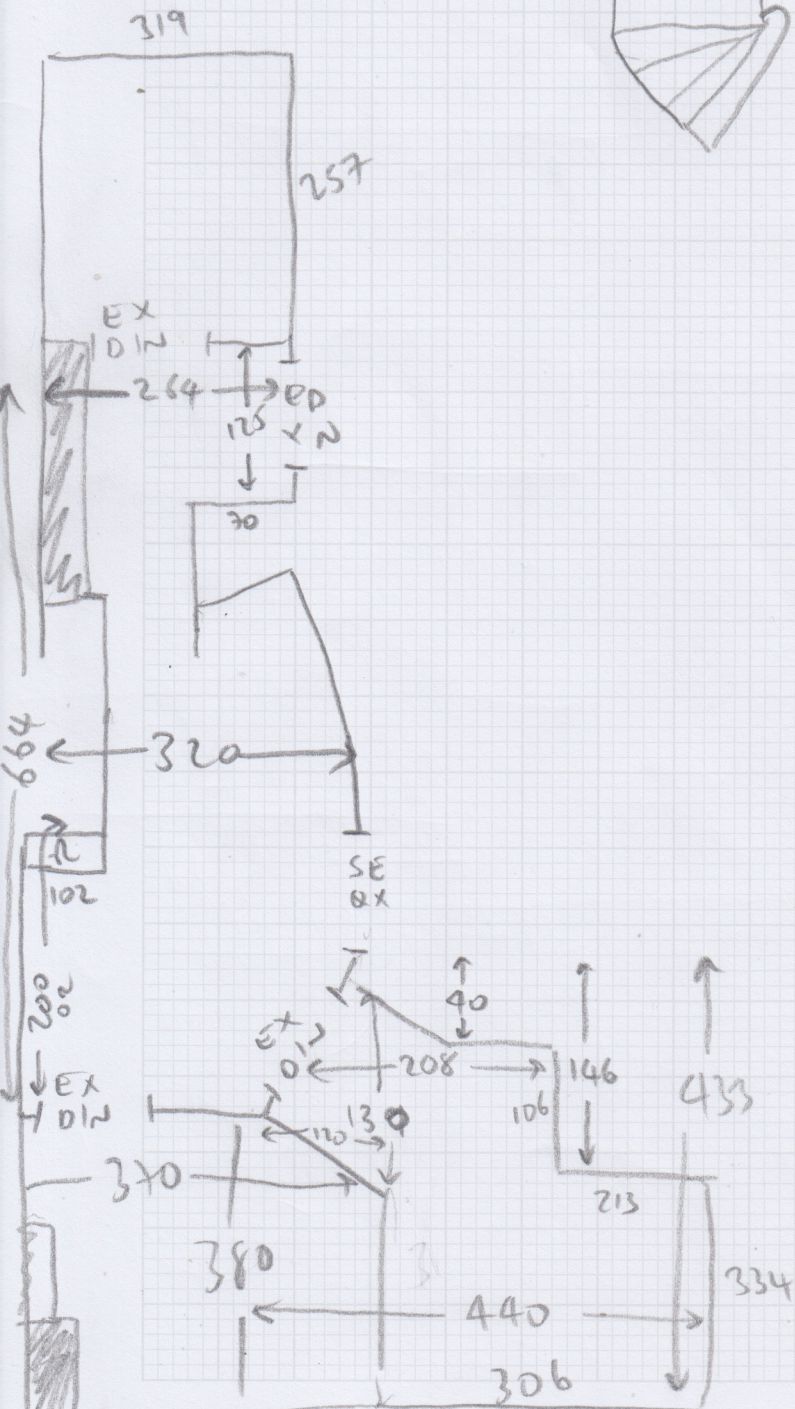


Job No: 535781
 Name: _____
 Address: _____
 Tel: _____
 Sheet: _____ of: _____



- TIL = SEE PLAN ✓
 - W1 = 47 x 87 ✓
 - W2 = 47 x 87 ✓
 - W3 = 47 x 87 ✓
 - W4 = 47 x 87 ✓
 - W5 = 47 x 87 ✓
 - W6 = 47 x 87 ✓
 - W7 = 47 x 87 ✓
 - W8 = 47 x 87 ✓
 - W9 = 47 x 87 ✓
 - W10 = 47 x 87 ✓
 - W11 = 50 x 87 ✓
 - W12 = 50 x 92 ✓
 - W13 = 62 x 100 ✓
 - W14 = 62 x 102 ✓
 - W15 ~~was~~ = 68 x 105 ✓
 - B1N = 65 x 109 ✓
 - MIL = SEE PLAN ✓
 - 16x5T = 46 x 96 ✓
 - B1N 2 = 46 x 125 ✓
- ↓ TO GROUND ↓
FLOOR



(A)



mrcarpets
DESIGNS FOR FLOORS

Job No: S35781

Name:

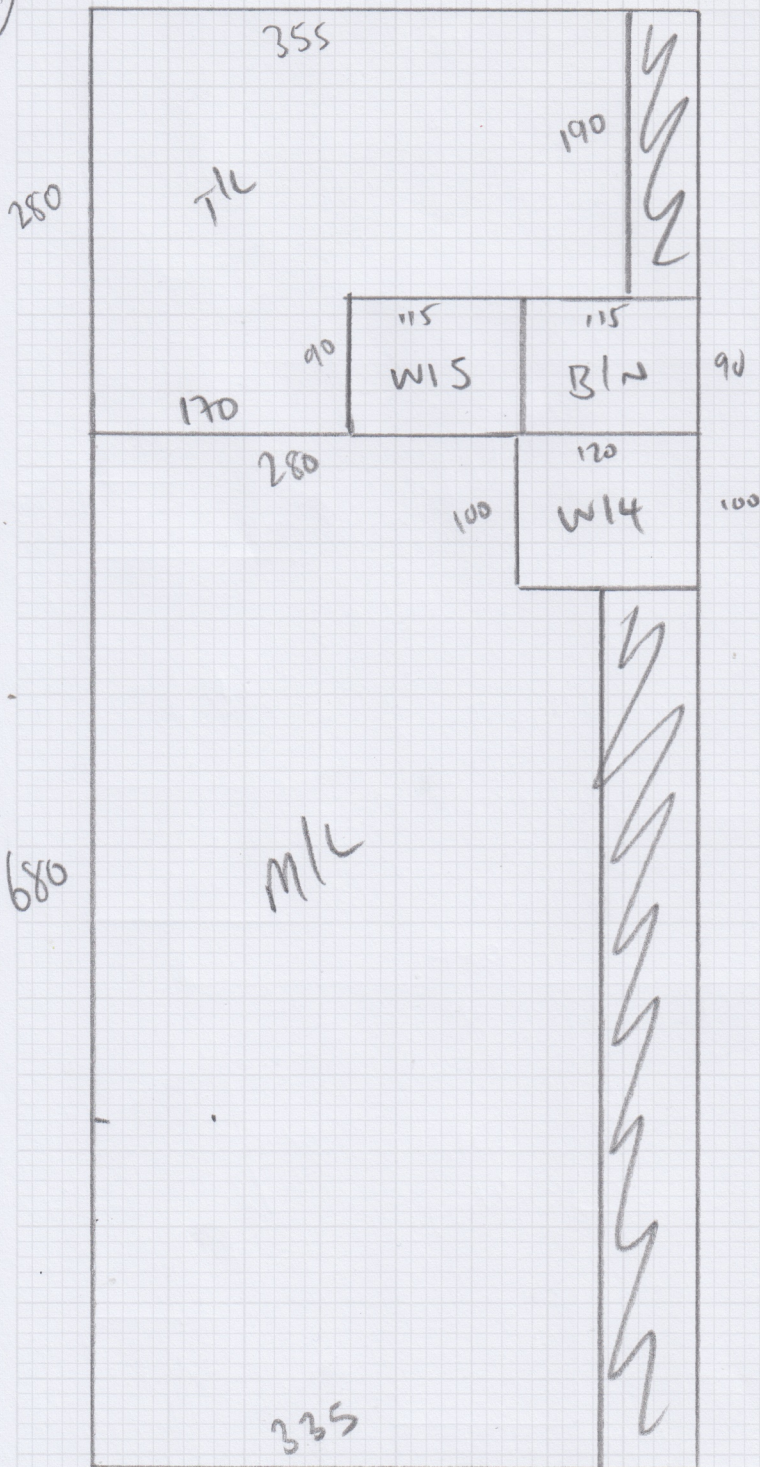
Address:

Tel: 213

Sheet: of:

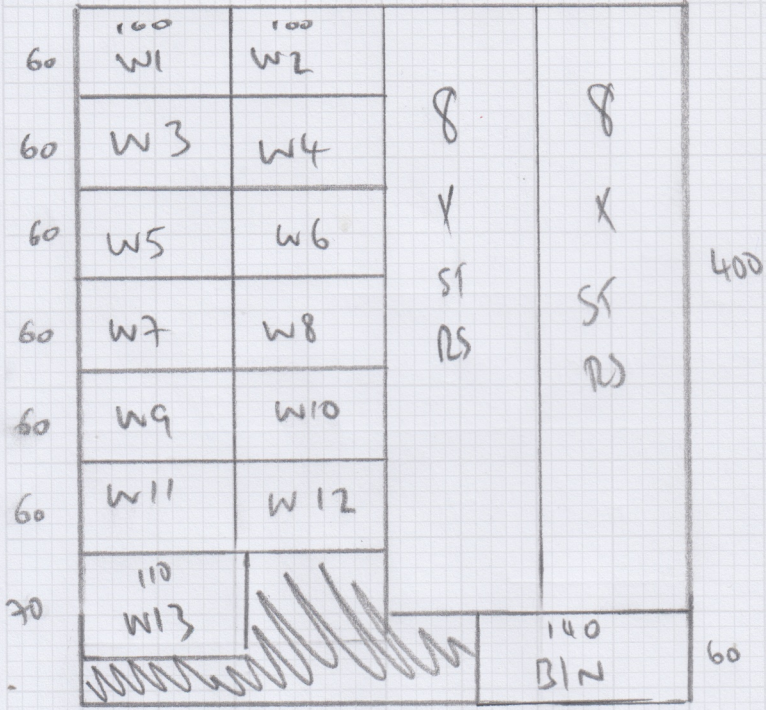
960 x 400

PTD



13

Job No: _____
Name: S35781
Address: _____
Tel: _____
Sheet: 3/3



460 x 400