

WESTEX MAJOR SAND

6.30 x 4.00 m

6.60 x 3.66 m

mrcarpet
DESIGNS FOR FLOORS
Malcolm Taylor
Name: S36001
Address:

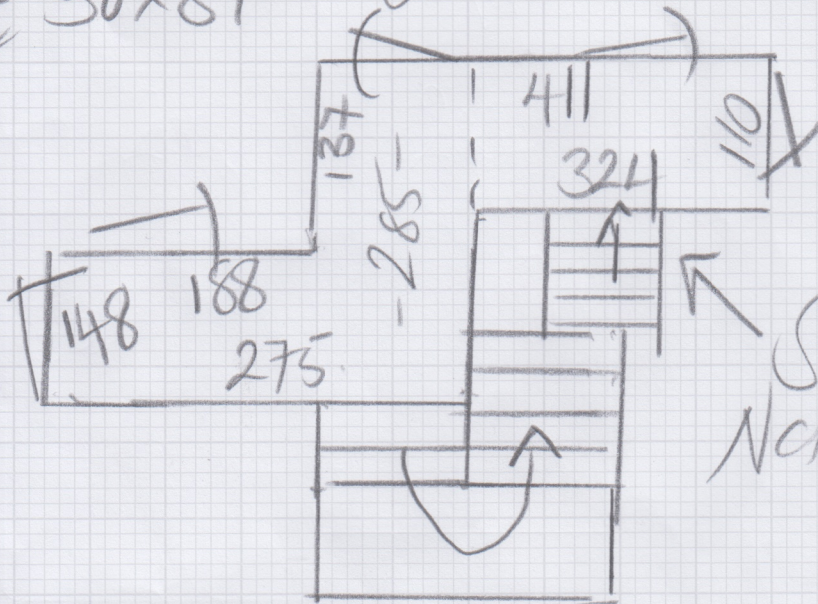
Tel:

Sheet: 1 OF 3

2@ 50x87

1/2 Load @ 125x237

11@ 50x87 - 87



Stairs up.
Not doing.

← 599 →



Take up 11x
Rods +
S/L opt /
U/lay
& leave
outside
for cancel.

Job No:
Name: Malcolm Taylor
Address: S36001
Tel:
Sheet: of: 2-3

0 → 366

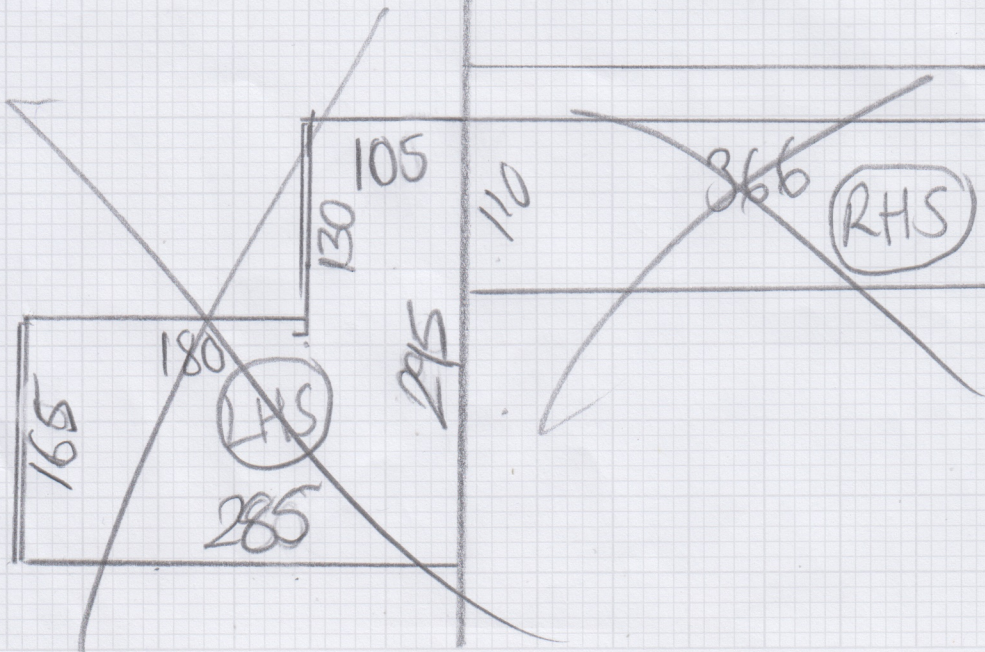
366

Diner

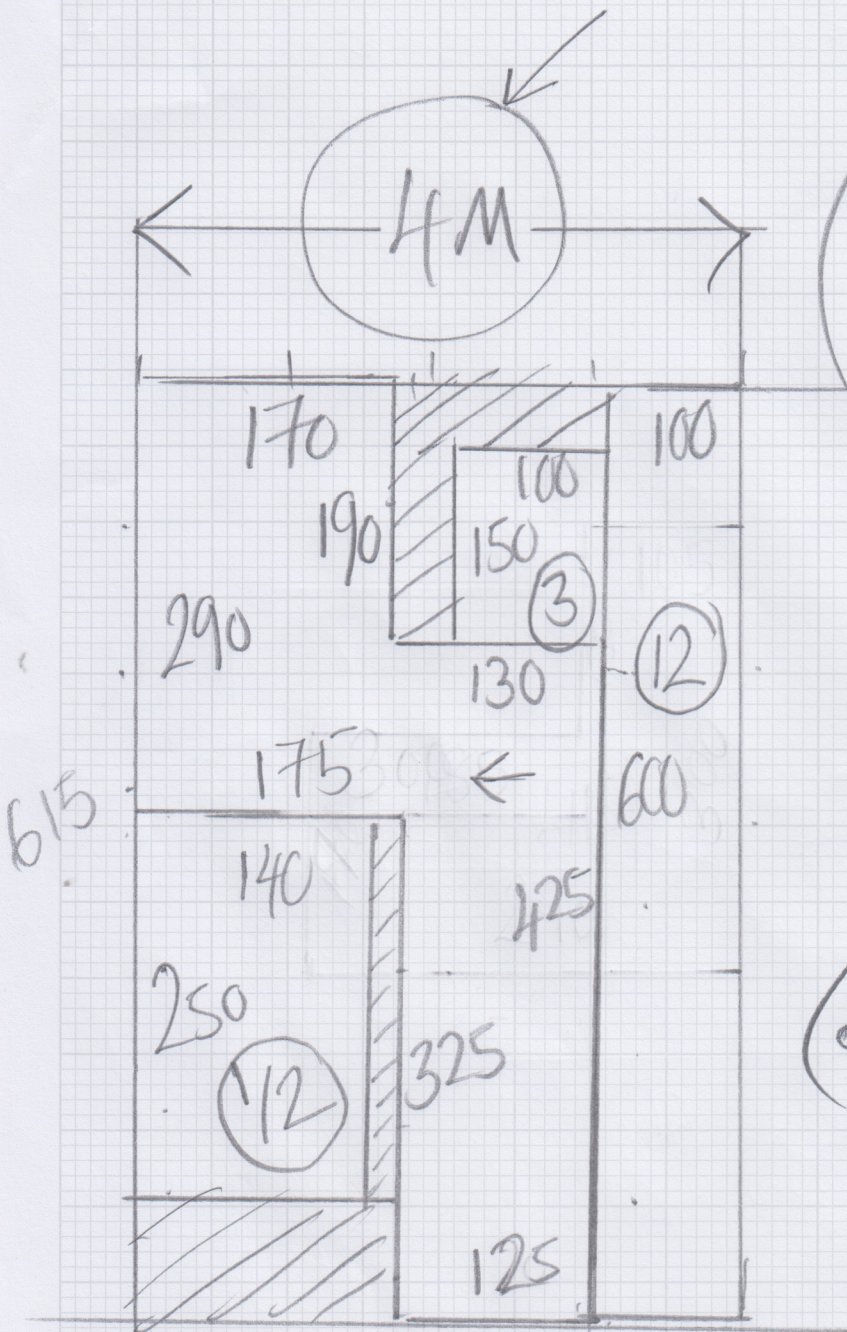
660

366

Large 630



Job No: _____
 Name: Taylor
 Address: _____
 Tel: _____
 Sheet: S36001 3/3



6.15 x 4.00

24.60m²

(~~old~~ - 6.30 x 4m)